
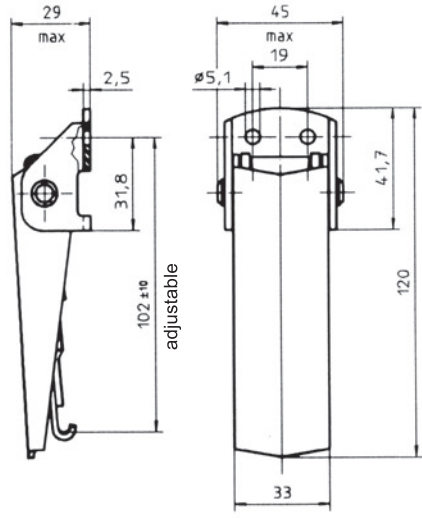

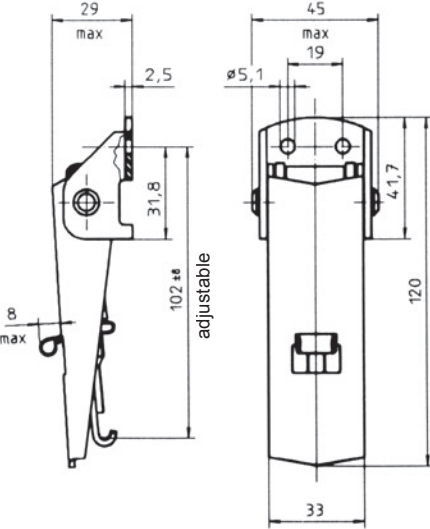

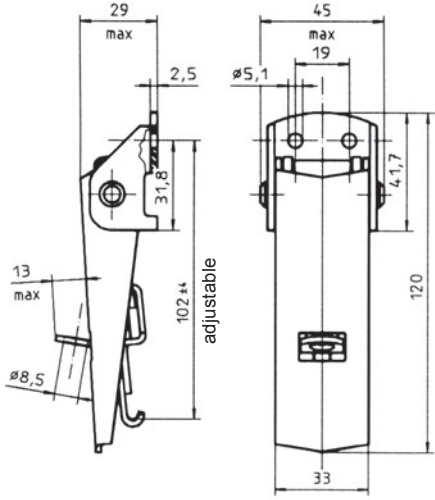


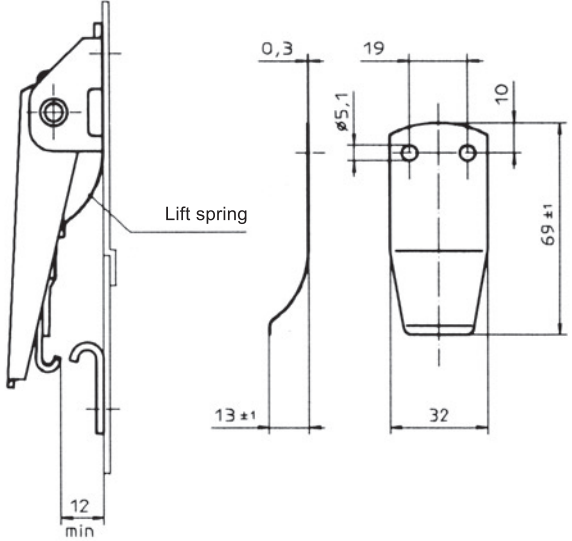
Max. tensile strength 6.000 N  
Adjustable drawhook  
Available with secondary lock, hasp and lift spring

Style	Dimensions	Materials / Finish	Mounting Type <sup>1)</sup>	D	Part No.
		Steel / zinc-plated, CrVI-free, transparent passivated <sup>2)</sup>	N	5,1	<b>V18L01-1-1AA</b>
		Stainless steel <sup>3)</sup>	N	5,1	<b>V18L01-1-1BF</b>
		Stainless steel <sup>3)</sup>	S	-	<b>V18L01-1-2BF</b>
<b>With secondary lock</b> 		Steel / zinc-plated, CrVI-free, transparent passivated <sup>2)</sup>	N	5,1	<b>V18L01-1X1AA</b>
		Stainless steel <sup>3)</sup>	N	5,1	<b>V18L01-1X1BF</b>
		Stainless steel <sup>3)</sup>	S	-	<b>V18L01-1X2BF</b>


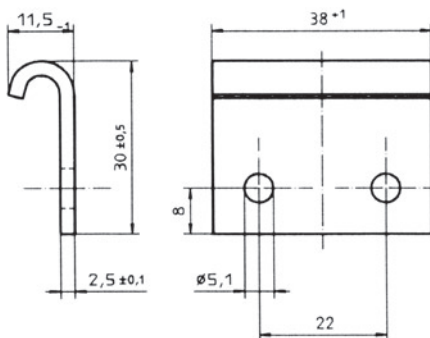

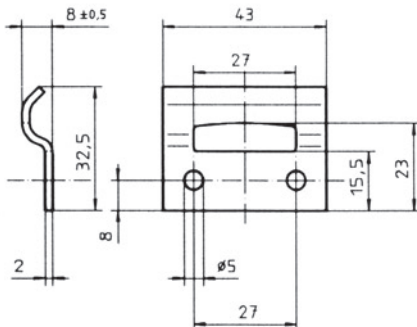
- 1) Mounting type: N = With hole for riveting or screwing  
S = Without holes, for welding
- 2) Max. tensile strength: 6.000 N with V18L13-1-1AA strike
- 3) Max. tensile strength: 4.600 N with V18L13-1-\*BF or 1449L07-1BP strike

Style	Dimensions	Materials / Finish	Mounting Type <sup>1)</sup>	D	Part No.
<p><b>With hasp</b></p> 		Steel / zinc-plated, CrVI-free, transparent passivated <sup>2)</sup>	N	5,1	<b>V18L01-1Y1AA</b>

**Accessories**

Dimensions	Materials / Finish	Mounting Type <sup>1)</sup>	D	Part No.
<p><b>Lift spring</b></p> 	Stainless steel	N	5,1	<b>V18L45-1BP</b>

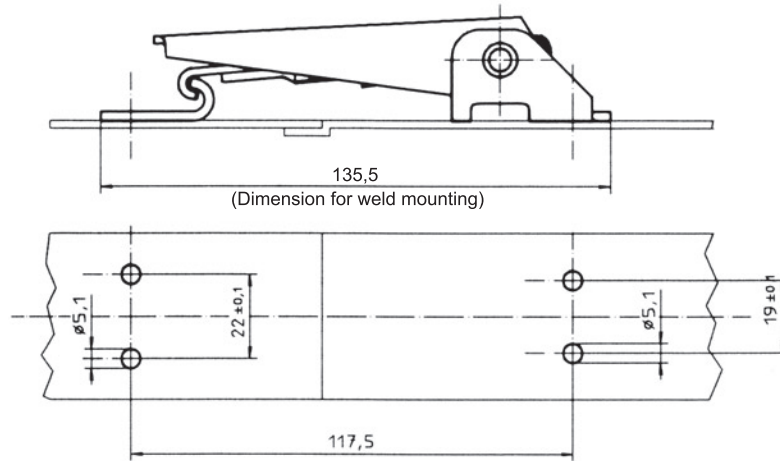
For footnotes refer to page H-1.

Style	Dimensions	Materials / Finish	Mounting Type <sup>1)</sup>	D	Part No.
		Steel / zinc-plated, CrVI-free, transparent passivated <sup>2)</sup>	N	5,1	<b>V18L13-1-1AA</b>
		Stainless steel	N	5,1	<b>V18L13-1-1BF</b>
		Stainless steel	S	-	<b>V18L13-1-2BF</b>
<b>With guidance</b>		Stainless steel	N	5,0	<b>1449L07-1BP</b>
					

For footnotes refer to page H-1.

Dimensions

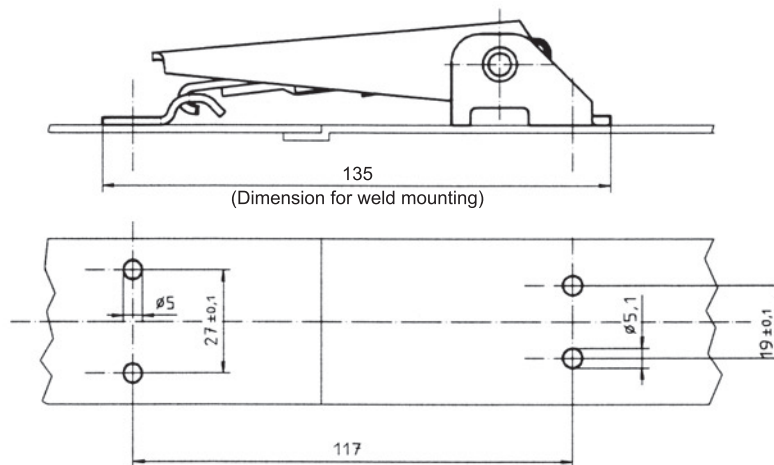
**Tension latch / short-type strike**



V18L01-

V18L13-

**Tension latch / strike with guidance**



V18L01-

1449L07-