
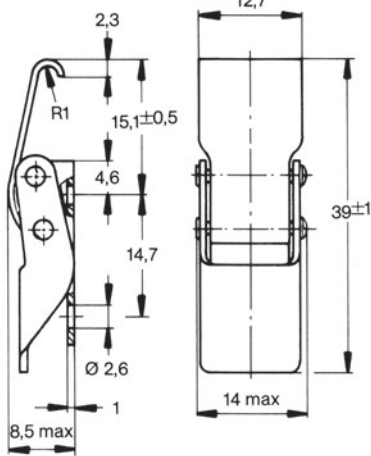

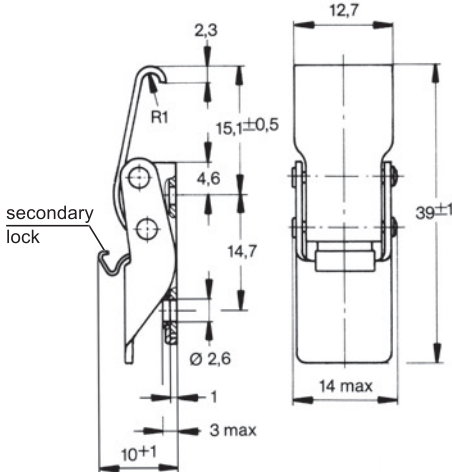

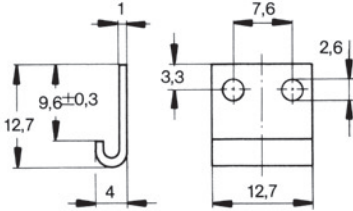


Max tensile strength 550 N
Working load 310 N

| Style | Dimensions | Materials / Finish | Part No. |
|--|--|--------------------|----------------------|
|  |  | Stainless steel | V934L01-1-1BP |
| With secondary lock  |  | Stainless steel | V934L01-1X1BP |

Strikes

| Style | Dimensions | Materials / Finish | D | Part No. |
|---|---|-------------------------------|-----|--------------------|
|  |  | Stainless steel ¹⁾ | 2,6 | V934L02-1BP |

Dimensions

