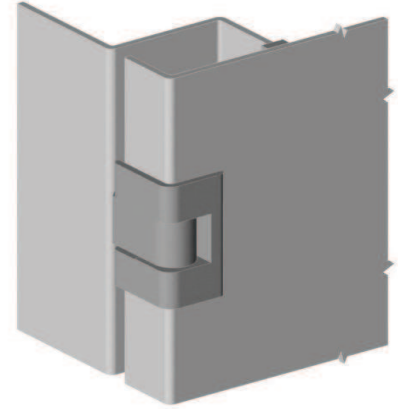
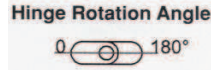


Particular Features:

- Corner hinge
- Suitable for steel panels with a thickness of 2 mm
- Steel hinge pin



Application:

Big sized electric panels

Version	Materials / Finish	Part-No.
	Zamak® DIN-EN1774-ZnAl4Cu1 chrome plated (CrVI-free)	HC40ED-B
	Zamak® DIN-EN1774-ZnAl4Cu1 black coated (CrVI-free)	HC40EH-B

Dimensions and Hole Preparation

