

Particular Features:

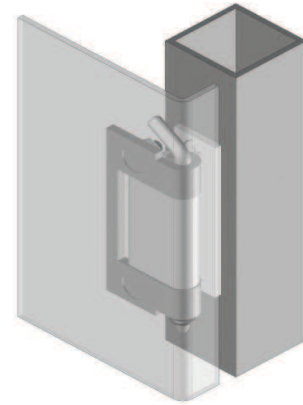
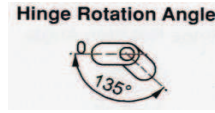
For doors with a bent of 20 mm to fix profiles

Frame part screwed on

Door part is mounted by nut to welded stud on door

Left hand and right hand application is possible

Note: Bolts are not given



Application:

Electric panels, machinery covers

Version	Materials / Finish	Part-No.
	steel / zinc plated 20 mm bent	HI40AG

Dimensions and Hole Preparation

