
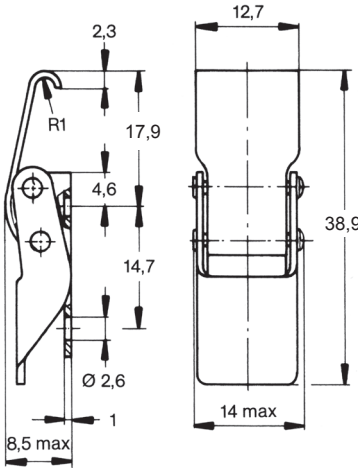

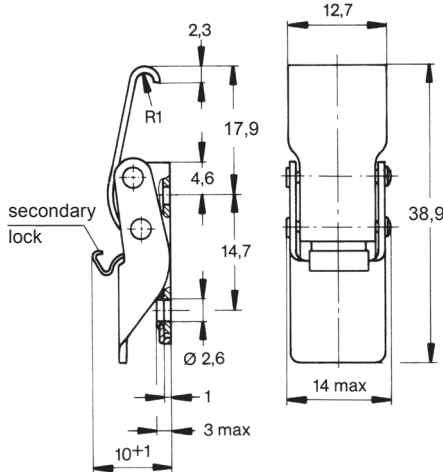

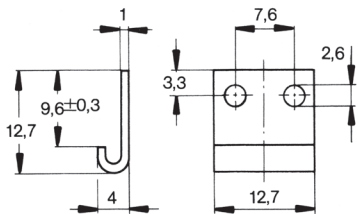


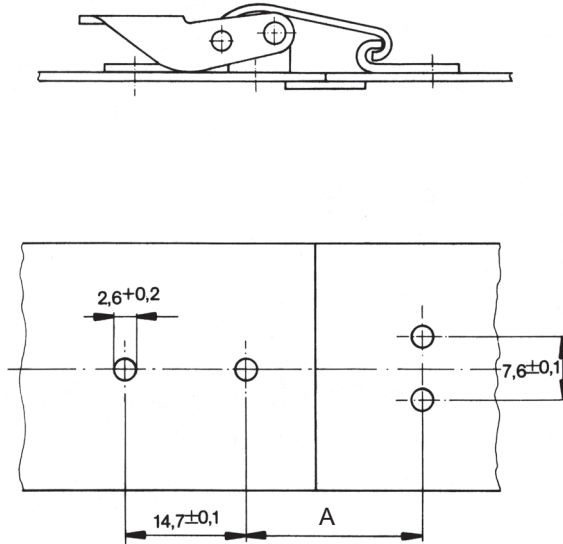
Max. tensile strength 550 N
Working load 310 N

Style	Dimensions	Materials / Finish	Part No.
		Stainless steel Steel / zinc-plated, CrVI-free, clear passivation	V934L01-1-1BP V934L01-1-1AGV
With secondary lock 		Stainless steel Steel / zinc-plated, CrVI-free, clear passivation	V934L01-1X1BP V934L01-1X1AGV

Strikes

Style	Dimensions	Materials / Finish	D	Part No.
		Stainless steel ¹⁾ Steel / zinc-plated, CrVI-free, clear passivation	2,6	V934L02-1BP V934L02-1AGV

Dimensions



A = min. 23,7 mm, please take into account the application preload and tolerance requirements