

Features

This fastener fastens panels in electrical switch cabinets (e.g. 19"-equipment) to modular bars.

Selection Instructions

The dimensions of the front panel and the modular bar as well as the colour determine the final design of the fastener.

To enable us to offer you the custom-tailored fastener, we need your drawings with the dimensions and tolerances of:

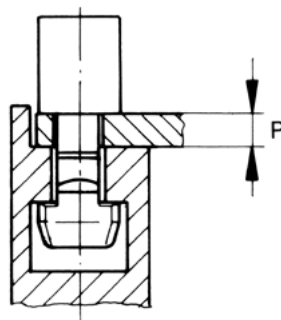
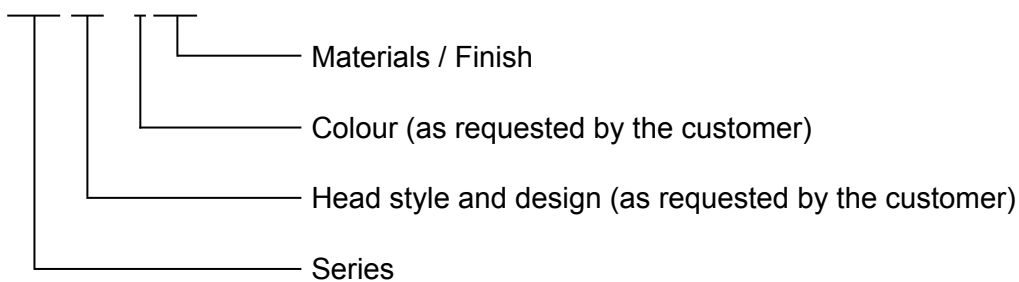
1. the front panel
2. the shape of the modular bar
3. the colour, if necessary

In addition, please send us samples of your modular bar and front panel.


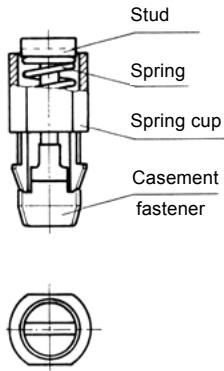

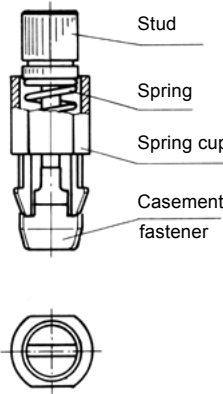
Part no. example

One-piece fastener

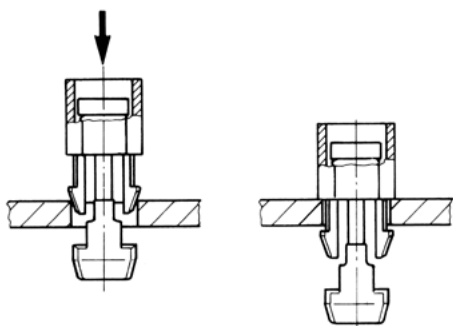
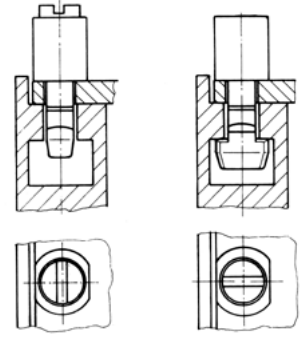
713 S* - * AE



Due to the various front panel thickness, hole shapes and modular bar shapes, it is not possible to offer one standard design. We will individually issue the final part number only after determining the front panel and modular bar dimensions and the colour.

Style	Dimensions	Materials / Finish	°C	Part No.
<p>Slotted Recess Head</p> 		<p>Spring cup: Plastic (POM) Stud: Steel / nickel-plated Spring: Steel / zinc-plated, CrVI-free, clear chromate Casement fastener: Zinc die casting / zinc-plated, CrVI-free, clear chromate</p>	-25 up to +90	713S* - *AE
<p>Knurled Head</p> 		<p>Spring cup: Plastic (POM) Stud: Steel / nickel-plated Spring: Steel / zinc-plated, CrVI-free, clear chromate Casement fastener: Zinc die casting / zinc-plated, CrVI-free, clear chromate</p>	-25 up to +90	713S* - *AE

* Design and colour as requested by the customer.

Dimensions	Fastener Position
<p>Installing the Fastener</p>  <ol style="list-style-type: none"> 1. Insert fastener with spring cup into hole. 2. Push stud until snap-in hooks lock in. 	<p>Unlocked Locked</p>  <p>To lock push stud and turn 90°C.</p> <p>The slot indicates the position of the fastener.</p>