

## Features

- Max. tensile strength 1.200 N, working load 800 N.
- 1/4 turn to open, close with a push of the finger
- Wide grip range
- Tool or hand operated
- Fast installation of snap-in spring receptacle.
- No tools required for the installation of the stud and washer.
- Tool operated stud has combination recess.

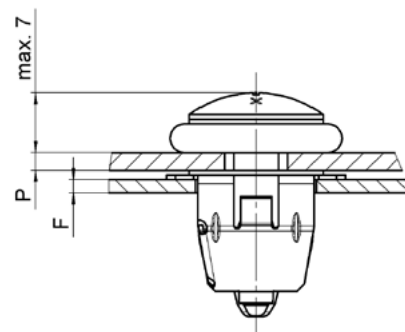
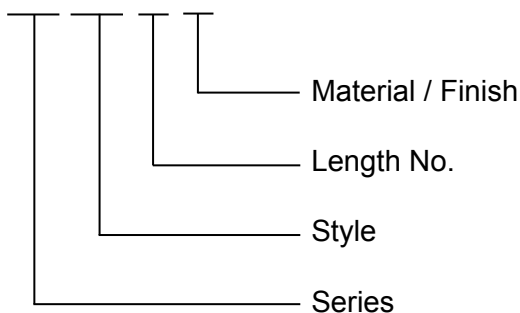
## Selection Instructions

1. Select stud assembly according to panel thickness P, page O-2 and spring clip according to frame thickness F, page O-4.
2. Select Compensating washer and Retaining washer, page O-3.
3. Select stud length number from panel thickness P using the formula and table below (e.g. 720S01-\*B).


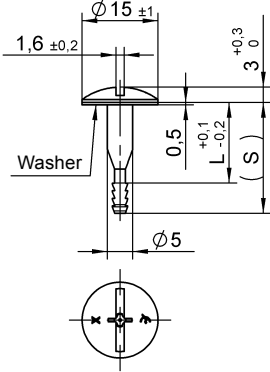

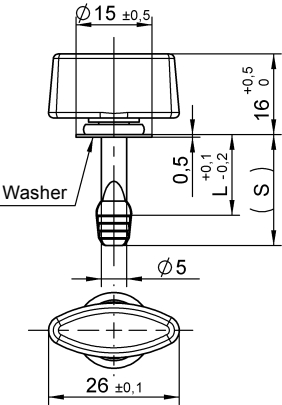
## Part no. example

Stud, slot-cross recess

### 720 S01 -1 B

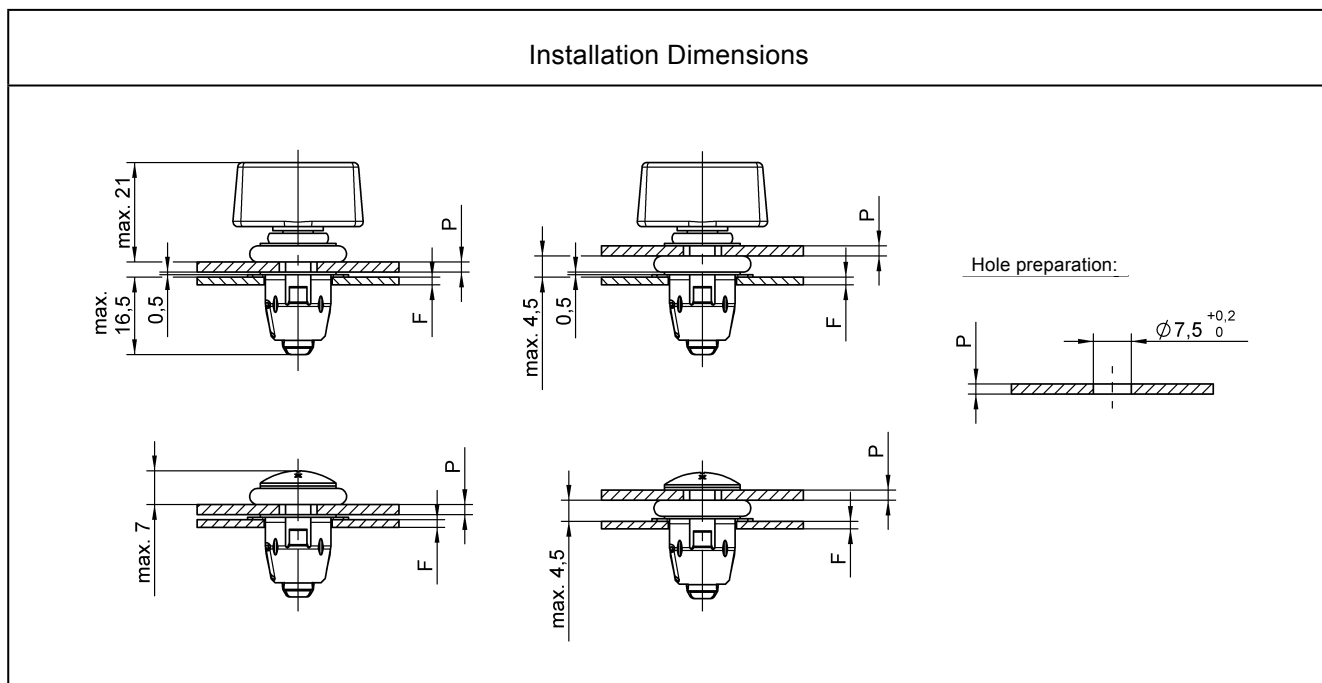


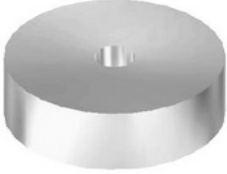
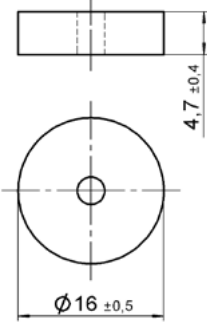

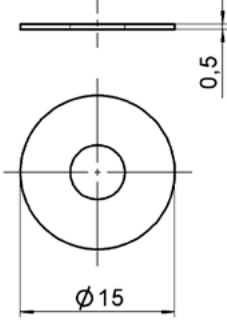
Panel Thickness P	Slot-Cross Recess Length No.	Wing Head Stud Length No.	Dimension L +0,1/-0,2	Dimension (S)
1,00 - 4,00	1	1	16	21
4,00 - 7,00	2	2	19	24
7,00 - 10,00	3	3	22	27

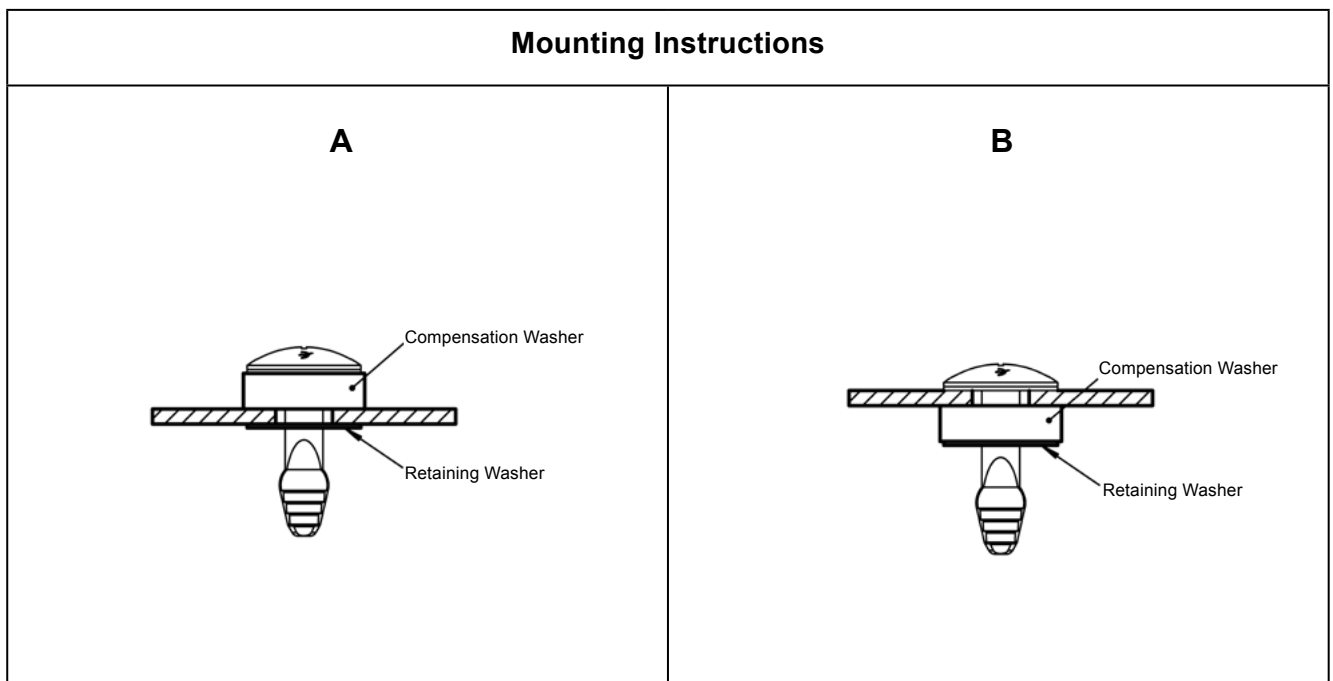
Style	Dimensions	Materials / Finish	°C	Part No.
<b>Slot-Cross Recess Head</b>  	 <p>L + (S) see table page O-1</p>	Stainless steel Washer: PA6 natural	-20 up to +70	<b>720S01-*B</b>
<b>Fixed Wing Handle Plastic</b>  	 <p>L + (S) see table page O-1</p>	Stainless steel Knob: PA6 black Washer: PA6 natural	-20 up to +70	<b>720S02-*B</b>


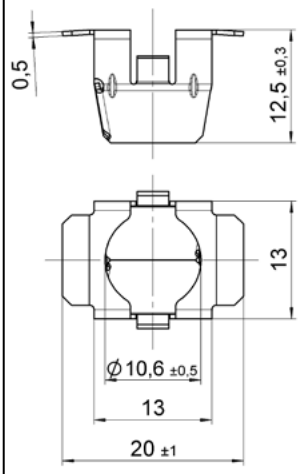
\* Length no. from Table, see page O-1.

## Stud Installation Instructions



Style	Dimensions	Materials / Finish	°C	Part No.
<p><b>Compensating Washer</b></p> 		PU - Elastomer yellow	-20 up to +70	<b>720W01-2K</b>
<p><b>Retaining Washer</b></p> 		Polyamid natural	-20 up to +70	<b>50E15-1K</b>



Style	Dimensions	Materials / Finish	Frame Thickness F	°C	Part No.
<b>Spring Clip</b>  		Stainless steel	1,0 - 1,5	-20 up to +70	<b>720R01-1B</b>
			1,5 - 2,0		<b>720R01-2B</b>
			2,0 - 2,5		<b>720R01-3B</b>
			2,5 - 3,0		<b>720R01-4B</b>

## Installation Instructions

Installation Dimensions	
