

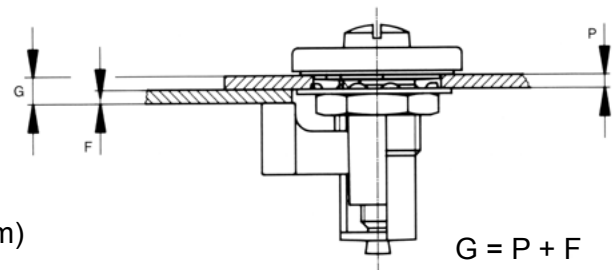
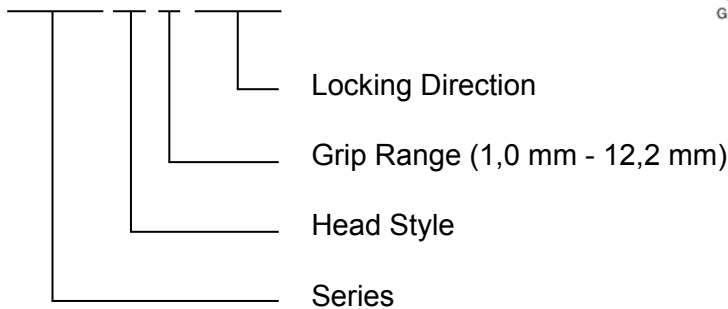
Features


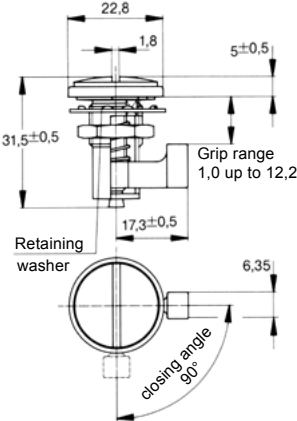

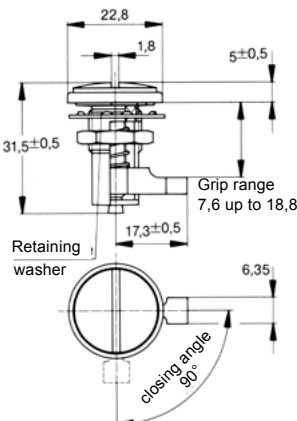
Variable grip fastener. Available in two grip ranges from 1,0 mm to 18,8 mm.
Tool or hand operated head styles available.
Single hole mounting - low installation cost.
Clockwise locking as standard.
Counterclockwise locking fasteners upon request.


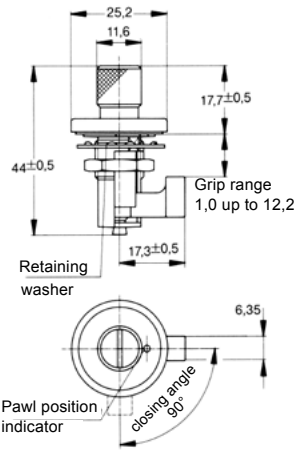

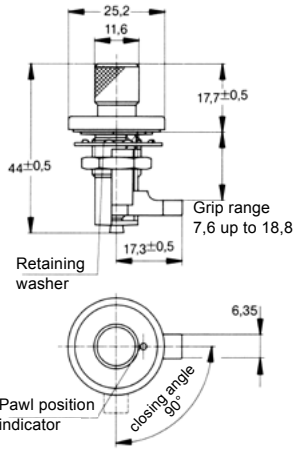
Part no. example

Pawl Latches, Flat head.
Grip range 1,0 mm - 12,2 mm.

V965L 23 -1 R1AG



Style	Dimensions	Materials / Finish	°C	Part No.
Flat Head Grip Range 1,0 up to 12,2 		Steel / zinc-plated CrVI-free, clear passivation	-40 up to +100	V965L23-1R1AG
Flat Head Grip Range 7,6 up to 18,8 		Steel / zinc-plated CrVI-free, clear passivation	-40 up to +100	V965L23-2R1AG

Style	Dimensions	Materials / Finish	°C	Part No.
Knurled Head Grip Range 1,0 up to 12,2 		Steel / zinc-plated CrVI-free, clear passivation	-40 up to +100	V965L1-1R1AG
Knurled Head Grip Range 7,6 up to 18,8 		Steel / zinc-plated CrVI-free, clear passivation	-40 up to +100	V965L1-2R1AG

Pawl Latches Installation Instructions

