
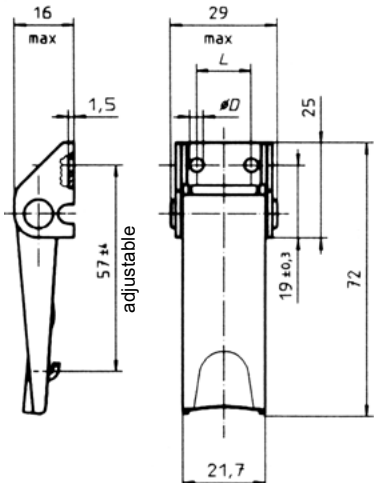
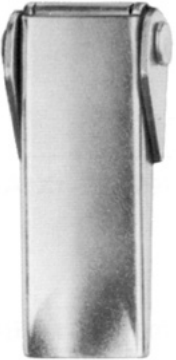
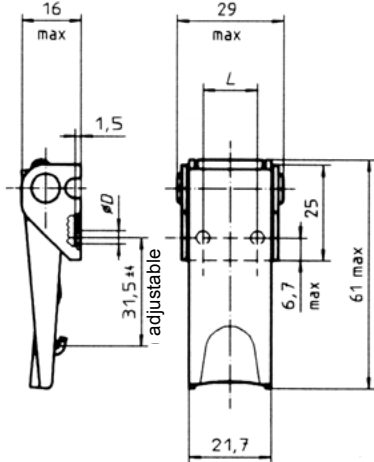


Max. tensile strength 2.300 N, working load max 1.550 N, see footnotes.

Adjustable drawhook

Available with secondary lock and hasp

Style	Dimensions	Materials / Finish	Mounting Type ¹⁾	D	L	Part No.
Open base 		Steel / zinc-plated, CrVI-free, clear passivation ²⁾	N	3,6	14,3	V951L02-1-1AGV
		Steel / zinc-plated, CrVI-free, clear passivation ²⁾	N	4,2	12,7	V951L02-1-5AGV
		Steel / zinc-plated, CrVI-free, clear passivation Base: Steel / zinc-plated ²⁾	S	-	-	V951L02-1-2AGV
		Steel / chrome-plated Interior parts: Steel / zinc-plated, CrVI-free, clear passivation ²⁾	N	3,6	14,3	V951L02-1-1AD
		Stainless steel ³⁾	N	3,6	14,3	V951L02-1-1BP
		Stainless steel ³⁾	N	4,2	12,7	V951L02-1-5BP
		Stainless steel ³⁾	S	-	-	V951L02-1-2BP
Concealed base ⁴⁾ 		Steel / zinc-plated, CrVI-free, clear passivation	N	3,6	14,3	V951L03-1-1AGV
		Steel / zinc-plated, CrVI-free, clear passivation	N	4,2	12,7	V951L03-1-5AGV
		Steel / chrome-plated Interior parts: Steel / zinc-plated, CrVI-free, clear passivation	N	3,6	14,3	V951L03-1-1AD
		Stainless steel	N	3,6	14,3	V951L03-1-1BP
		Stainless steel	N	4,2	12,7	V951L03-1-5BP

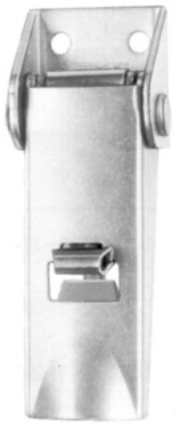
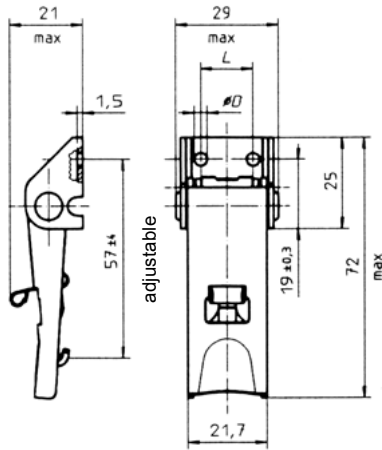

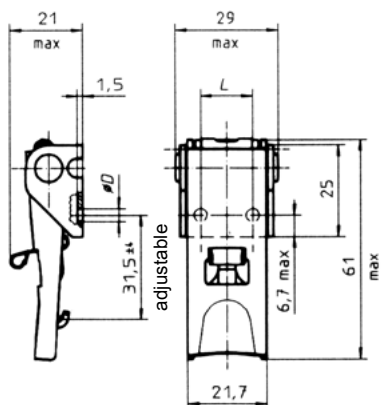
¹⁾ Mounting type: N = With holes for riveting or screw fixing

S = Without holes, for welding


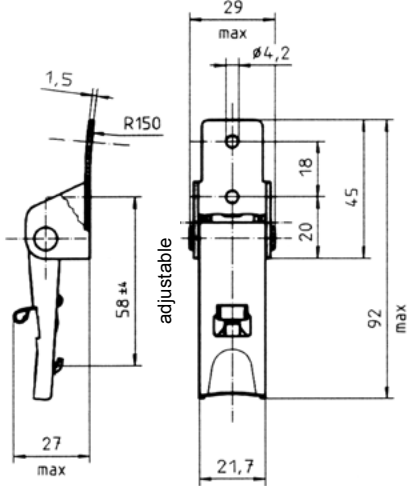

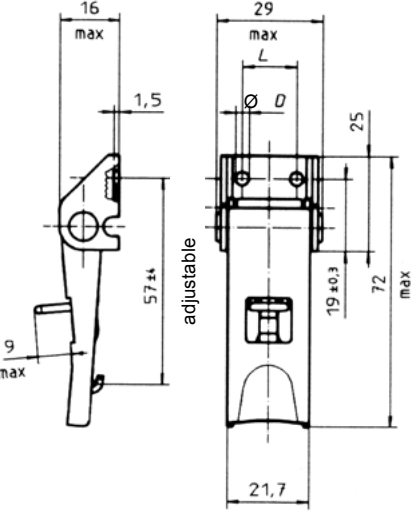
²⁾ Max. tensile strength: 2.300 N with V951L07-*A* and V951L52-1A* strike, working load 1.550 N.
2.000 N with V951L50-1A* strike, working load 1.300 N.

³⁾ Max. tensile strength: 1.500 N with V951L07-*BP and V951L52-1BP strike, working load 1.000 N.

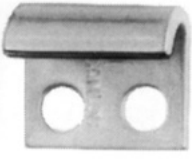
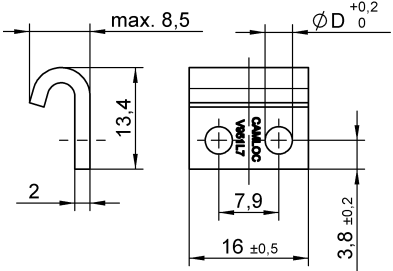
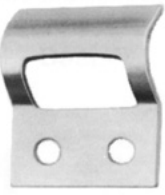
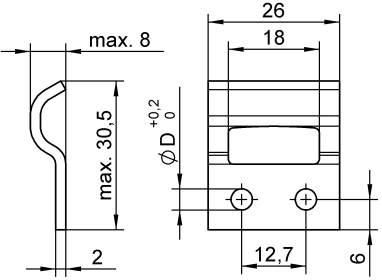

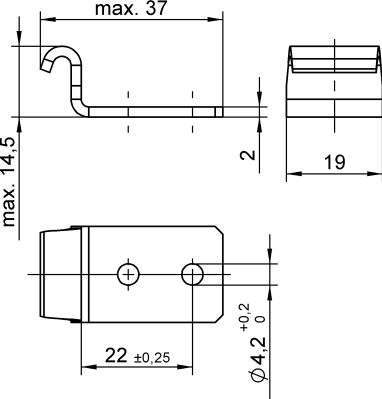
⁴⁾ Due to the mounting geometry, tensile strength reduced to approx. 1200 N, working load 800 N.

Style	Dimensions	Materials / Finish	Mounting Type ¹⁾	D	L	Part No.
Secondary lock, open base 		Steel / zinc-plated, CrVI-free, clear passivation ²⁾	N	3,6	14,3	V951L04-1X1AGV
		Steel / zinc-plated, CrVI-free, clear passivation ²⁾	N	4,2	12,7	V951L04-1X5AGV
		Steel / chrome-plated Interior parts: Steel / zinc-plated, CrVI-free, clear passivation Secondary lock: Stainless steel	N	3,6	14,3	V951L04-1X1AD
		Stainless steel ³⁾	N	3,6	14,3	V951L04-1X1BP
		Stainless steel ³⁾	N	4,2	12,7	V951L04-1X5BP
		Stainless steel ³⁾	S	-	-	V951L04-1X2BP
Secondary lock, concealed base ⁴⁾ 		Steel / zinc-plated, CrVI-free, clear passivation	N	4,2	12,7	V951L03-1X5AGV
		Steel / chrome-plated Interior parts: Steel / zinc-plated, CrVI-free, clear passivation Secondary lock: Stainless steel	N	3,6	14,3	V951L03-1X1AD
		Stainless steel	N	3,6	14,3	V951L03-1X1BP
		Stainless steel	N	4,2	12,7	V951L03-1X5BP

For footnotes refer to page F-1.

Style	Dimensions	Materials / Finish	Mounting Type ¹⁾	D	Part No.
Secondary lock, high base 		Steel / zinc-plated, CrVI-free, clear passivation Secondary lock: Stainless steel ²⁾	N	4,2	V951L05-1X1AGV
		Stainless steel ³⁾	N	4,2	V951L05-1X1BP
Hasp 	 <p>Hasp for Padlock Ø 6 max.</p>	Steel / zinc-plated, CrVI-free, clear passivation ²⁾ Base: Steel / zinc-plated	S	-	V951L01-1Y2AGV
		Steel / zinc-plated, CrVI-free, clear passivation ²⁾	N	4,2	V951L01-1Y5AGV

For footnotes refer to page F-1.

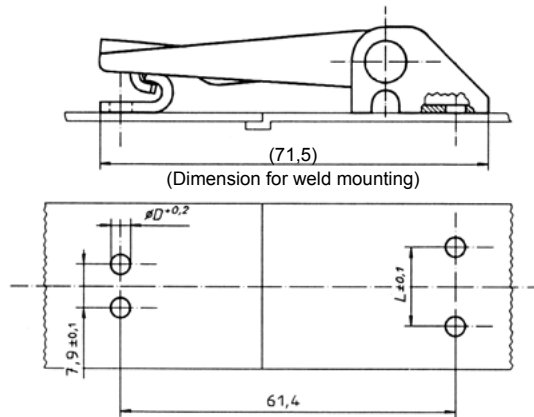
Style	Dimensions	Materials / Finish	Mounting Type ¹⁾	D	Part No.
Open 		Steel / zinc-plated, CrVI-free, clear passivation	N	3,6	V951L7-1AGV
		Steel / zinc-plated, CrVI-free, clear passivation	N	4,2	V951L7-5AGV
		Steel / zinc-plated	S ²⁾	-	V951L7-2AZ
		Steel / chrome-plated	N	3,6	V951L7-1AD
		Stainless steel	N	3,6	V951L7-1BP
		Stainless steel	N	4,2	V951L7-5BP
		Stainless steel	S	-	V951L7-2BP
Closed 		Steel / zinc-plated, CrVI-free, clear passivation	N	4,2	V951L50-1AGV
		Stainless steel	N	4,2	V951L50-1BP
		Stainless steel	N	3,6	V951L50-2BP
		Stainless steel	S	-	V951L50-3BP
Corner mounting 		Steel / zinc-plated, CrVI-free, clear passivation	N	4,2	V951L52-1AGV
		Stainless steel	N	4,2	V951L52-1BP

¹⁾ Mounting type: N = With holes for riveting or screw fixing
S = Without holes, for welding

²⁾ Material C45, HRC 36-39 steel, please use high-alloy filler welding rods

Dimensions

Open-base tension latch / open strike

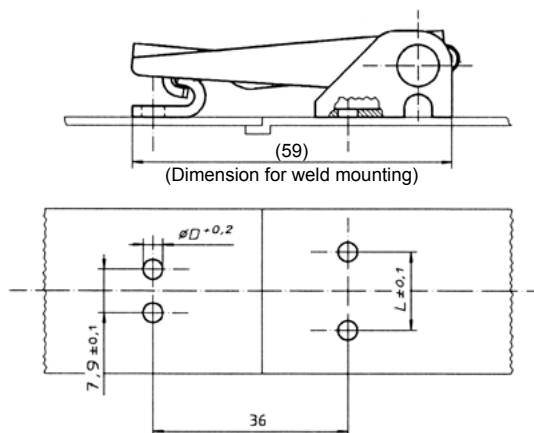


V951L02-*
V951L04-*
V951L01-*

V951L7-*

Select diameter D and distance L in accordance with the strike and tension latch style.

Concealed-base tension latch / open strike

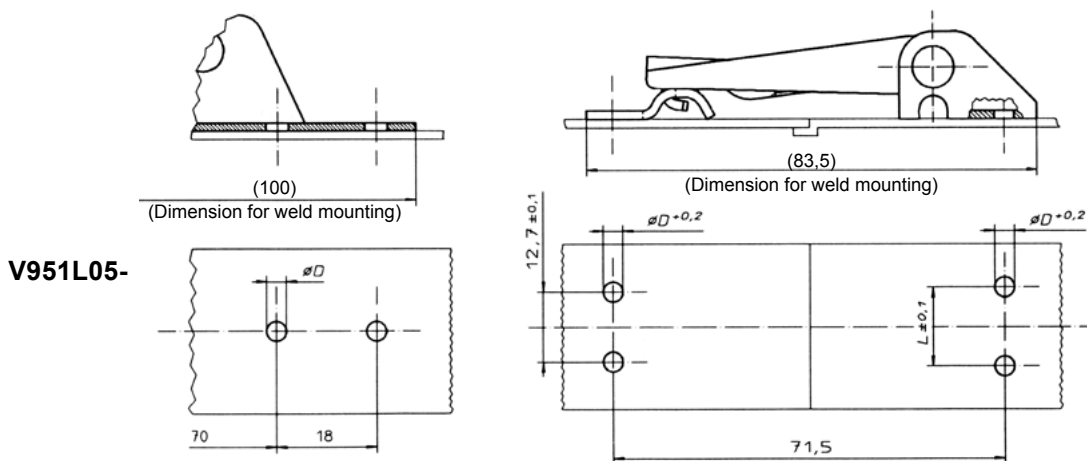


V951L03-*

V951L7-*

Select diameter D and distance L in accordance with the strike and tension latch style.

Open-base tension latch / closed strike



V951L02-*
V951L04-*
V951L01-*

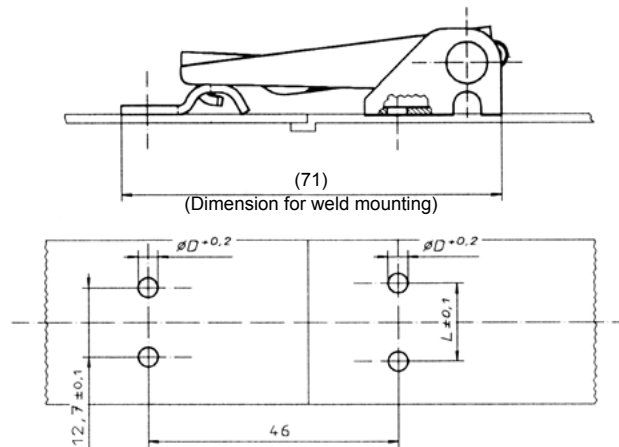
V951L50-*

V951L05-

Select diameter D and distance L in accordance with the strike and tension latch style.

Dimensions

Concealed-base tension latch / closed strike

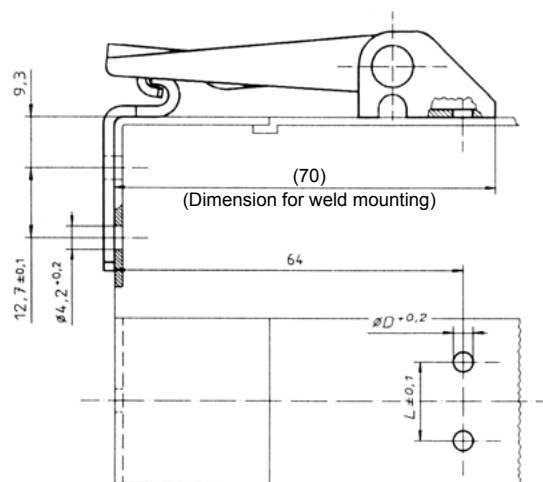


V951L03-*

V951L50-*

Select diameter D and distance L in accordance with the strike and tension latch style.

Open-base tension latch / corner-mounting strike



V951L02-*

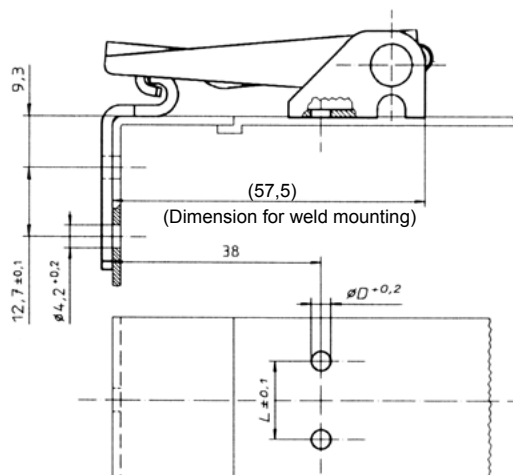
V951L04-*

V951L01-*

V951L52-*

Select diameter D and distance L in accordance with the strike and tension latch style.

Concealed-base tension latch / corner-mounting strike



V951L03-*

V951L52-*

Select diameter D and distance L in accordance with the strike and tension latch style.