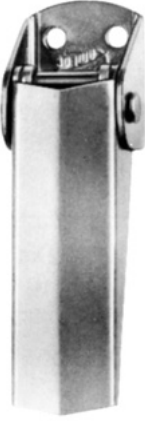
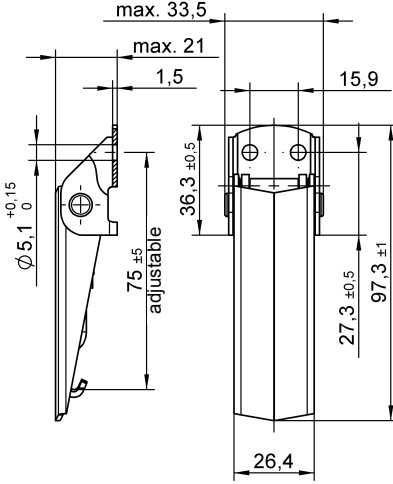
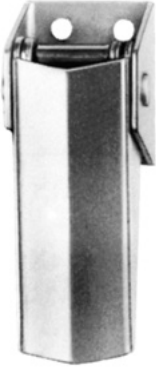
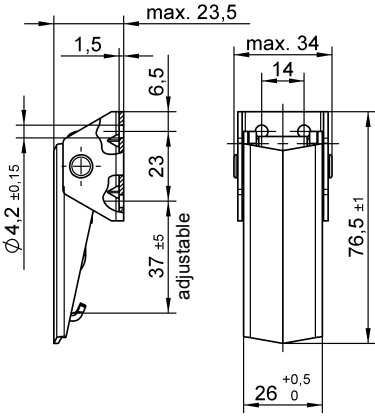
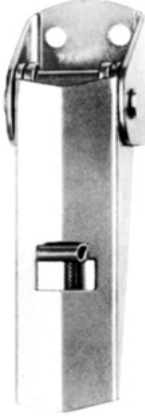
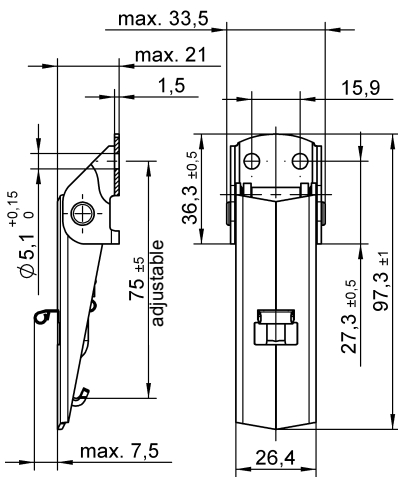
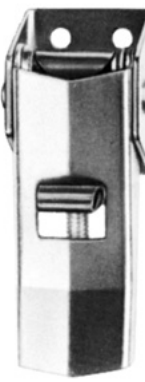
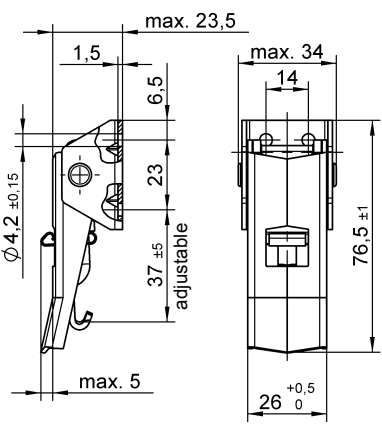

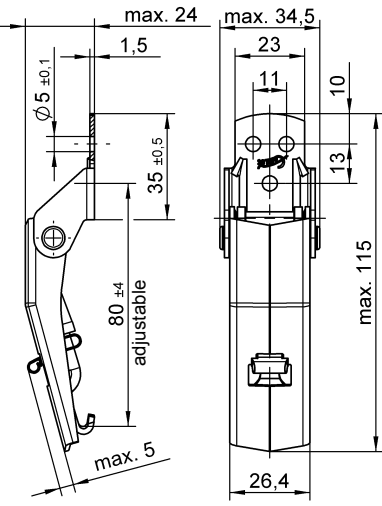


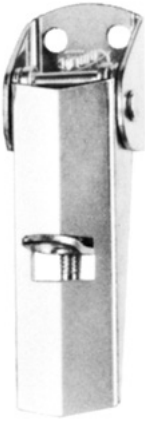
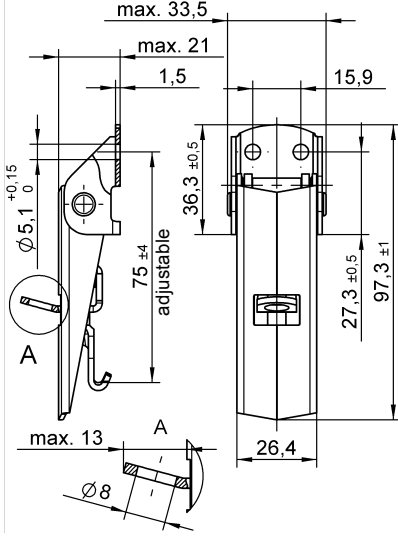
Max. tensile strength 3.600 N, working load max. 2.700 N, see footnotes.  
Adjustable drawhook  
Available with secondary lock and hasp

Style	Dimensions	Materials / Finish	Mounting Type <sup>1)</sup>	D	Part No.
<b>Open base</b>  		Steel / zinc-plated, CrVI-free, clear passivation <sup>2)</sup>	N	5,1	<b>V917L01-1-1AG</b>
		Stainless steel <sup>3)</sup>	N	5,1	<b>V917L01-1-1BP</b>
<b>High base</b>  		Steel / zinc-plated, CrVI-free, clear passivation <sup>2)</sup>	N	4,2	<b>V17L12-1-1AA</b>

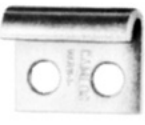
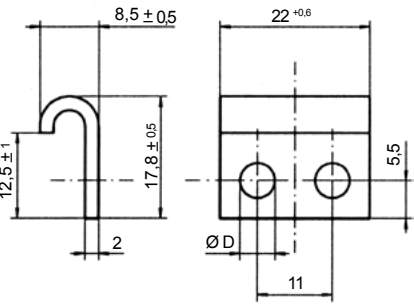

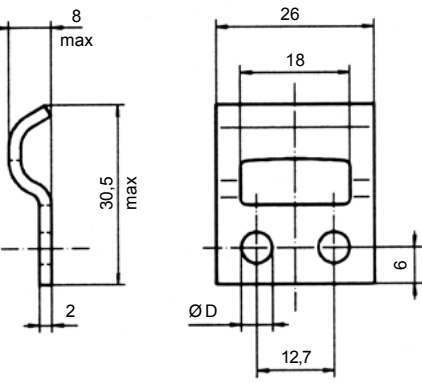
- <sup>1)</sup> Mounting type: N = With hole for riveting or screw fixing  
S = Without holes, for welding
- <sup>2)</sup> Max. tensile strength: 3.200 N with V917L11-1- \*AG strike, working load 2.200 N.  
2.200 N with V951L50-1- \*AGV strike, working load 1.500 N.
- <sup>3)</sup> Max. tensile strength: 3.600 N with V951L50-1- \*BP strike, working load 2.700 N.  
max. 2.300 N with V917L11-1-1BP strike, working load 1.550 N.

Style	Dimensions	Materials / Finish	Mounting Type <sup>1)</sup>	D	Part No.
<b>Secondary lock, open base</b> 		Steel / zinc-plated, CrVI-free, clear passivation <sup>2)</sup>	N	5,1	<b>V917L01-1X1AG</b>
		Stainless steel <sup>3)</sup>	N	5,1	<b>V917L01-1X1BP</b>
		Stainless steel <sup>3)</sup>	S	-	<b>V917L01-1X2BP</b>
		Stainless steel V4A <sup>3)</sup>	N	5,1	<b>V917L01-1X1CP</b>
		Stainless steel V4A <sup>3)</sup>	S	-	<b>V917L01-1X2CP</b>
<b>Secondary lock, high base</b> 		Steel / zinc-plated, CrVI-free, clear passivation <sup>2)</sup>	N	4,2	<b>V17L12-2X1AA</b>
<b>Secondary lock, for curved surfaces (R min = 125 mm)</b> 		Steel / zinc-plated, CrVI-free, clear passivation <sup>2)</sup>	N	5,0	<b>1449L02-1X1AG</b>
		Stainless steel <sup>3)</sup>	N	5,0	<b>1449L02-1X1BP</b>

For footnotes refer to page G-1.

Style	Dimensions	Materials / Finish	Mounting Type <sup>1)</sup>	D	Part No.
<p><b>Open base, with hasp</b></p> 		Steel / zinc-plated, CrVI-free, clear passivation <sup>2</sup>	N	5,1	<b>V917L01-1Y1AG</b>

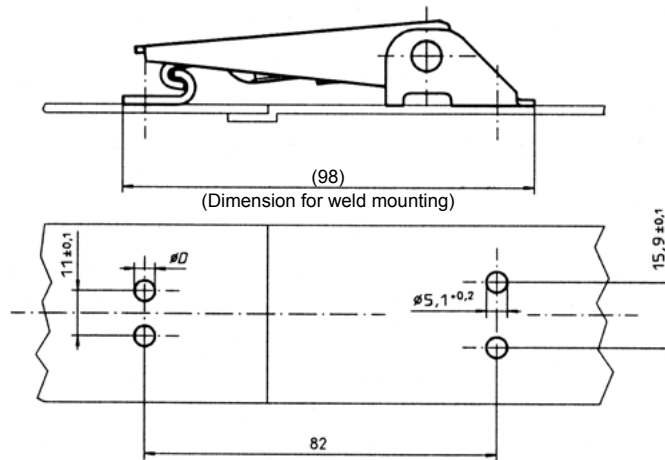
**Strikes**

Style	Dimensions	Materials / Finish	Mounting Type <sup>1)</sup>	D	Part No.
<p><b>Open</b></p> 		Steel / zinc-plated, CrVI-free, clear passivation	N	5,1	<b>V917L11-1-1AG</b>
		Steel / zinc-plated, CrVI-free, clear passivation	N	4,2	<b>V917L11-1-3AG</b>
		Stainless steel	N	5,1	<b>V917L11-1-1BP</b>
<p><b>Closed</b></p> 		Steel / zinc-plated, CrVI-free, clear passivation	N	4,2	<b>V951L50-1AGV</b>
		Steel / zinc-plated, CrVI-free, clear passivation	N	5,1	<b>V951L50-5AGV</b>
		Stainless steel	N	4,2	<b>V951L50-1BP</b>
		Stainless steel	S	-	<b>V951L50-3BP</b>

For footnotes refer to page G-1.

Dimensions

**Open-base tension latch / open strike**

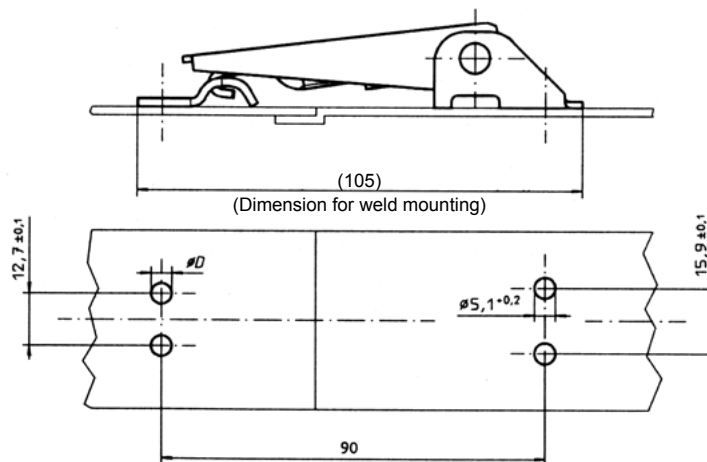


V917L01-\*

V917L11-\*

Select diameter D in accordance with the strike style.

**Open-base tension latch / closed strike**

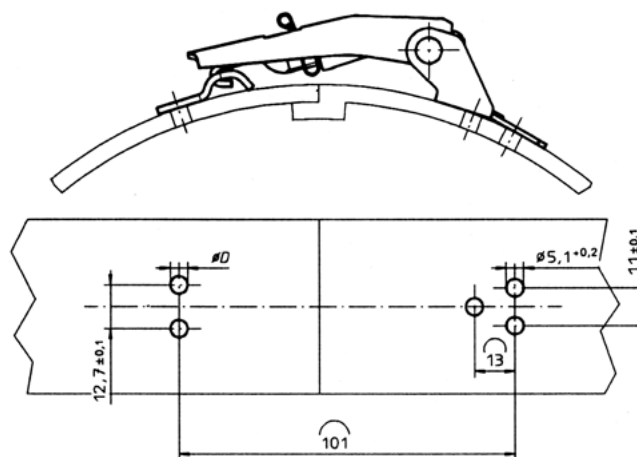


V917L01-\*

V951L50-\*

Select diameter D in accordance with the strike style.

**Tension latch for curved surfaces**



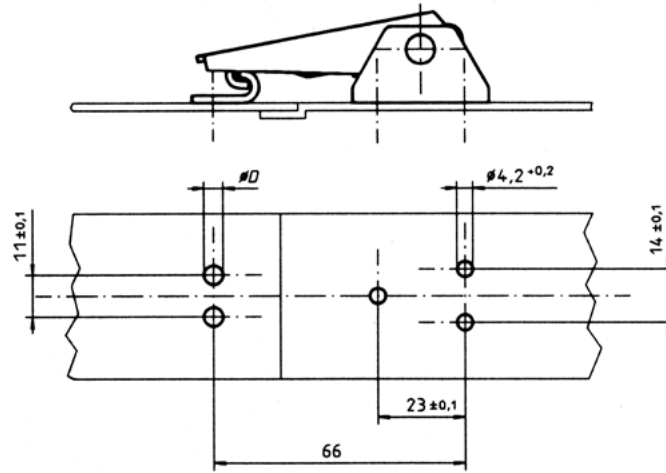
1449L02-\*

V951L50-\*

Select diameter D in accordance with the strike style.

Dimensions

High-base tension latch / open strike



V17L12-\*

V917L11-\*

Select diameter D in accordance with the strike style.