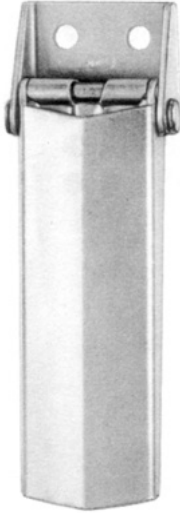
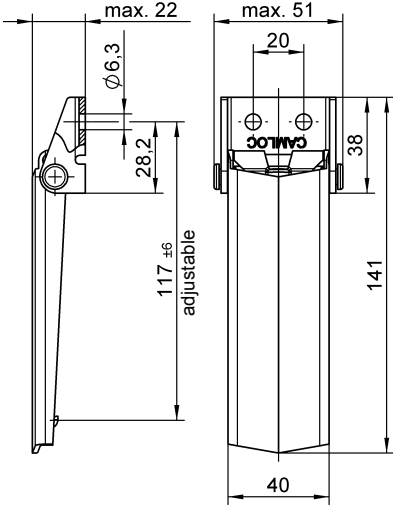
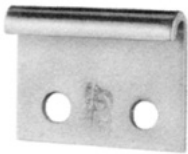
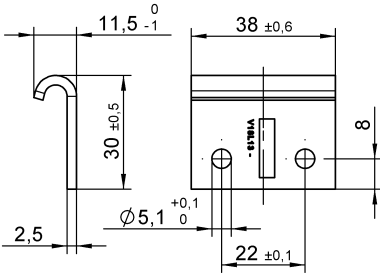


Max. tensile strength 4.500 N, working load 3.000 N.
Adjustable drawhook

Style	Dimensions	Materials / Finish	Mounting Type ¹⁾	D	Part No.
		Steel / zinc-plated and yellow chromate	N	6,3	V46L38-1-6AA
		Steel / zinc-plated and yellow chromate	S	-	V46L38-1-1AA

Strike

Style	Dimensions	Materials / Finish	Mounting Type ¹⁾	D	Part No.
		Steel / zinc-plated and yellow chromate	N	5,1	V18L13-1-1AC

¹⁾ Mounting type: N = With hole for riveting or screw fixing
S = Without holes, for welding