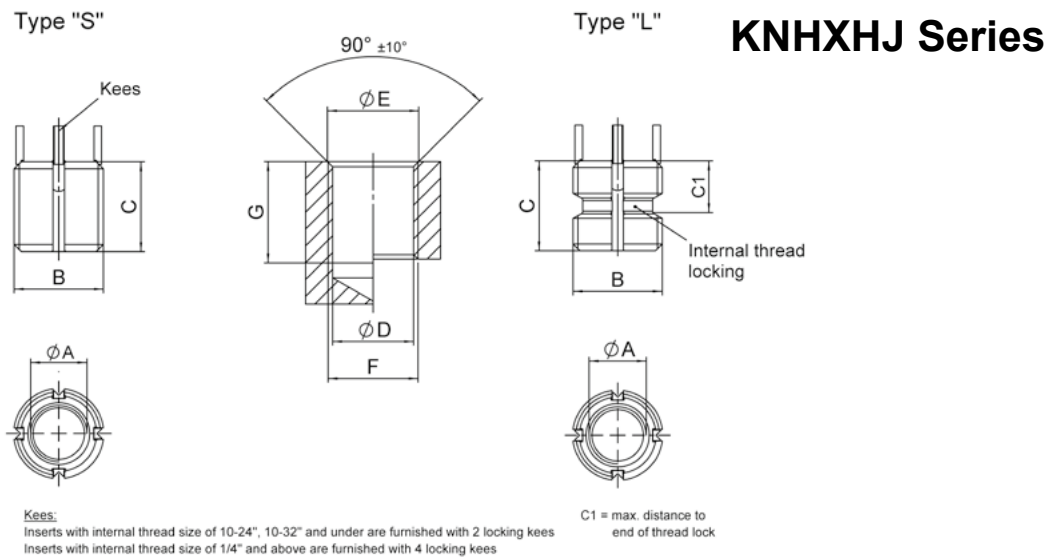


Part-no.		Dimensions				
Standard type "S"	Locking type "L"	Thread A Ø A class 3B	Thread B Ø B class 2A mod.	Shear engagement inch ² (mm ²)	C inch (mm)	C1 inch (mm)
KNHXH1032J	KNHXHL1032J	10-32	7/16-14	0,2299 (148,3)	0,31 (7,9)	0,31 (7,90)
				0,1403 (90,5)		
KNHXH1024J	KNHXHL1024J	10-24	7/16-14	0,2299 (148,3)	0,31 (7,9)	0,31 (7,90)
				0,1403 (90,5)		
KNHXH428J	KNHXHL428J	1/4-28	1/2-13	0,2997 (193,4)	0,37 (9,4)	0,33 (8,38)
				0,2005 (129,4)		
KNHXH420J	KNHXHL420J	1/4-20	1/2-13	0,2997 (193,4)	0,37 (9,4)	0,36 (9,14)
				0,2005 (129,4)		
KNHXH524J	KNHXHL524J	5/16-24	9/16-12	0,4163 (268,6)	0,43 (10,9)	0,34 (8,64)
				0,3029 (195,4)		

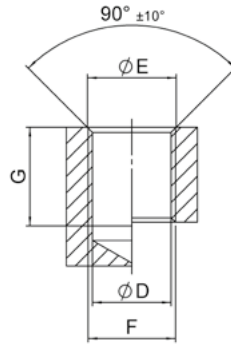
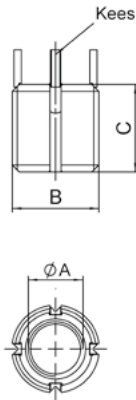
Part-no.	Installation dimensions					Removal dimensions	
	Ø D modified tap drill Ø inch	Ø E countersink Ø inch +0,01 (mm)	Thread F		Hand installation tool part-no.	Drill	
			Ø F class UNC- 2B	G min. inch (mm)		Ø inch (mm)	Depth inch (mm)
KNHXH1032J	0,397 (10,08)	0,447 (11,35)	7/16-14	0,37 (9,40)	THXHD1032L	11/32 (8,73)	3/16 (4,76)
KNHXHL1032J							
KNHXH1024J	0,397 (10,08)	0,447 (11,35)	7/16-14	0,37 (9,40)	THXHD1024L	11/32 (8,73)	3/16 (4,76)
KNHXHL1024J							
KNHXH428J	0,453 (11,51)	0,510 (12,95)	1/2-13	0,44 (11,18)	THXHD428L	13/32 (10,32)	3/16 (4,76)
KNHXHL428J							
KNHXH420J	0,453 (11,51)	0,510 (12,95)	1/2-13	0,44 (11,18)	THXHD420L	13/32 (10,32)	3/16 (4,76)
KNHXHL420J							
KNHXH524J	0,516 (13,11)	0,572 (14,53)	9/16-12	0,50 (12,70)	THXHD524L	15/32 (11,91)	3/16 (4,76)
KNHXHL524J							



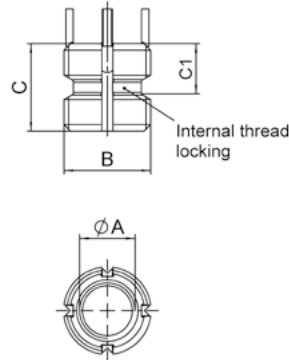
Part-no.		Dimensions				
Standard type "S"	Locking type "L"	Thread A Ø A class 3B	Thread B Ø B class 2A mod.	Shear engagement inch ² (mm ²)	C inch (mm)	C1 inch (mm)
KNHXH518J		5/16-18	9/16-12	0,4163 (268,6)	0,43 (10,9)	0,37 (9,40)
	KNHXHL518J			0,3029 (195,4)		
KNHXH624J		3/8-24	5/8-11	0,5584 (360,3)	0,50 (12,7)	0,37 (9,40)
	KNHXHL624J			0,4234 (273,8)		
KNHXH616J		3/8-16	5/8-11	0,5584 (360,3)	0,50 (12,7)	0,41 (10,41)
	KNHXHL616J			0,4234 (273,8)		
KNHXH720J		7/16-20	11/16-11 NS	0,8000 (516,1)	0,62 (15,6)	0,42 (10,67)
	KNHXHL720J			0,6498 (419,2)		
KNHXH714J		7/16-14	11/16-11 NS	0,8000 (516,1)	0,62 (15,6)	0,46 (11,68)
	KNHXHL714J			0,6498 (419,2)		

Part-no.	Installation dimensions					Removal dimensions	
	Ø D modified tap drill Ø inch	Ø E countersink Ø inch +0,01 (mm)	Thread F		Hand installation tool part-no.	Drill	
			Ø F class UNC- 2B	G min. inch (mm)		Ø inch (mm)	Depth inch (mm)
KNHXH518J	0,516 (13,11)	0,572 (14,53)	9/16-12	0,50 (12,70)	THXHD518L	15/32 (11,91)	3/16 (4,76)
KNHXHL518J							
KNHXH624J	0,578 (14,68)	0,635 (16,13)	5/8-11	0,56 (14,22)	THXHD624L	17/32 (13,49)	3/16 (4,76)
KNHXHL624J							
KNHXH616J	0,578 (14,68)	0,635 (16,13)	5/8-11	0,56 (14,22)	THXHD616L	17/32 (13,49)	3/16 (4,76)
KNHXHL616J							
KNHXH720J	0,641 (16,28)	0,700 (17,80)	11/16-11 NS	0,68 (17,27)	THXHD720L	19/32 (15,08)	3/16 (4,76)
KNHXHL720J							
KNHXH714J	0,641 (16,28)	0,700 (17,80)	11/16-11 NS	0,68 (17,27)	THXHD714L	19/32 (15,08)	3/16 (4,76)
KNHXHL714J							

Type "S"



Type "L"



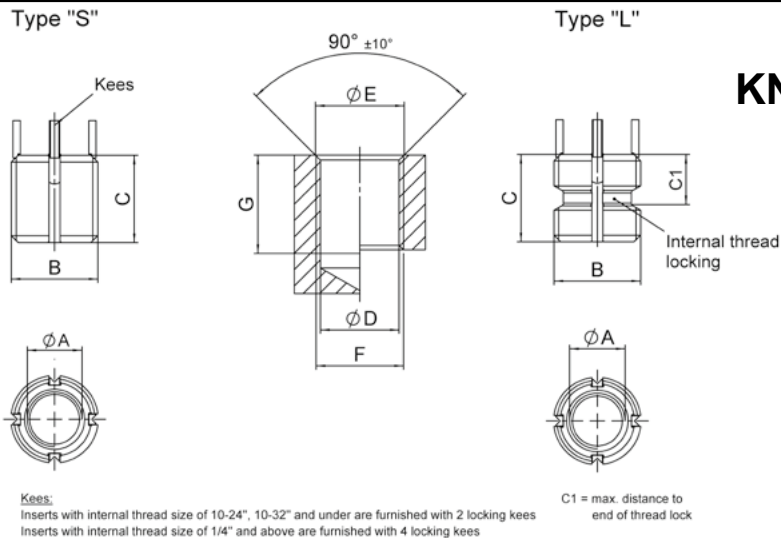
KNHXHJ Series

Kees:
Inserts with internal thread size of 10-24", 10-32" and under are furnished with 2 locking kees
Inserts with internal thread size of 1/4" and above are furnished with 4 locking kees

C1 = max. distance to end of thread lock

Part-no.		Dimensions				
Standard type "S"	Locking type "L"	Thread A Ø A class 3B	Thread B Ø B class 2A mod.	Shear engagement inch ² (mm ²)	C inch (mm)	C1 inch (mm)
KNHXH820J		1/2-20	13/16-16	1,0293 (664,1)	0,68 (17,3)	0,42 (10,67)
	KNHXHL820J			0,8642 (557,6)		
KNHXH813J		1/2-13	13/16-16	1,0293 (664,1)	0,68 (17,3)	0,47 (11,94)
	KNHXHL813J			0,8642 (557,6)		
KNHXH918J		9/16-18	7/8-14	1,3761 (887,8)	0,81 (20,6)	0,48 (12,19)
	KNHXHL918J			1,1131 (718,1)		
KNHXH912J		9/16-12	7/8-14	1,3761 (887,8)	0,81 (20,6)	0,54 (13,72)
	KNHXHL912J			1,1131 (718,1)		
KNHXH1018J		5/8-18	1-12	1,6420 (1059,4)	0,87 (22,1)	0,51 (12,95)
	KNHXHL1018J			1,2770 (823,9)		
KNHXH1011J		5/8-11	1-12	1,6420 (1059,4)	0,87 (22,1)	0,59 (14,99)
	KNHXHL1011J			1,2770 (823,9)		

Part-no.	Installation dimensions					Removal dimensions	
	Ø D modified tap drill Ø inch	Ø E countersink Ø inch +0,01 (mm)	Thread F		Hand installation tool part-no.	Drill	
			Ø F class UNC-2B	G min. inch (mm)		Ø inch (mm)	Depth inch (mm)
KNHXH820J	0,766 (19,46)	0,822 (20,88)	13/16-16 UNF	0,75 (19,05)	THXHD820L	23/32 (18,26)	3/16 (4,76)
KNHXHL820J							
KNHXH813J	0,766 (19,46)	0,822 (20,88)	13/16-16 UNF	0,75 (19,05)	THXHD813L	23/32 (18,26)	3/16 (4,76)
KNHXHL813J							
KNHXH918J	0,828 (21,03)	0,885 (22,48)	7/8-14 UNF	0,94 (23,88)	THXHD918L	25/32 (19,84)	3/16 (4,76)
KNHXHL918J							
KNHXH912J	0,828 (21,03)	0,885 (22,48)	7/8-14 UNF	0,94 (23,88)	THXHD912L	25/32 (19,84)	3/16 (4,76)
KNHXHL912J							
KNHXH1018J	0,937 (23,80)	1,020 (25,91)	1-12 UNF	1,00 (25,40)	THXHD1018L	27/32 (21,43)	5/16 (7,94)
KNHXHL1018J							
KNHXH1011J	0,937 (23,80)	1,020 (25,91)	1-12 UNF	1,00 (25,40)	THXHD1011L	27/32 (21,43)	5/16 (7,94)
KNHXHL1011J							



KNHXHJ Series

Part-no.		Dimensions				
Standard type "S"	Locking type "L"	Thread A Ø A class 3B	Thread B Ø B class 2A mod.	Shear engagement inch ² (mm ²)	C inch (mm)	C1 inch (mm)
KNHXH1216J		3/4-16	1-1/4-12	2,7966 (1804,2)	1,12 (28,5)	
	KNHXHL1216J			2,5505 (1645,5)	1,25 (31,8)	0,57 (14,48)
KNHXH1210J		3/4-10	1-1/4-12	2,7966 (1804,2)	1,12 (28,5)	
	KNHXHL1210J			2,5505 (1645,5)	1,25 (31,8)	0,64 (16,26)
KNHXH1414J		7/8-14	1-3/8-12	3,4652 (2235,6)	1,25 (31,8)	
	KNHXHL1414J			3,2769 (2114,1)	1,37 (34,8)	0,63 (16,00)
KNHXH1409J		7/8-9	1-3/8-12	3,4652 (2235,6)	1,25 (31,8)	
	KNHXHL1409J			3,2769 (2114,1)	1,37 (34,8)	0,71 (18,03)
KNHXH1612J		1-12	1-1/2-12	4,2374 (2733,8)	1,37 (34,8)	
	KNHXHL1612J			4,2135 (2718,4)	1,50 (38,1)	0,70 (17,78)
KNHXH1608J		1-8	1-1/2-12	4,2374 (2733,8)	1,37 (34,8)	
	KNHXHL1608J			4,2135 (2718,4)	1,50 (38,1)	0,78 (19,81)

Part-no.	Installation dimensions					Removal dimensions	
	Ø D modified tap drill Ø inch	Ø E countersink Ø inch +0,01 (mm)	Thread F		Hand installation tool part-no.	Drill	
			Ø F class UNC-2B	G min. inch (mm)		Ø inch (mm)	Depth inch (mm)
KNHXH1216J	1,187 (30,15)	1,270 (32,26)	1-1/4-12 UNF	1,31 (33,27) 1,44 (36,58)	THXHD1216L	1-3/32 (27,78)	5/16 (7,94)
KNHXHL1216J							
KNHXH1210J	1,187 (30,15)	1,270 (32,26)	1-1/4-12 UNF	1,31 (33,27) 1,44 (36,58)	THXHD1210L	1-3/32 (27,78)	5/16 (7,94)
KNHXHL1210J							
KNHXH1414J	1,312 (33,32)	1,395 (35,43)	1-3/8-12 UNF	1,44 (36,58) 1,56 (39,62)	THXHD1414L	1-7/32 (30,96)	5/16 (7,94)
KNHXHL1414J							
KNHXH1409J	1,312 (33,32)	1,395 (35,43)	1-3/8-12 UNF	1,44 (36,58) 1,56 (39,62)	THXHD1409L	1-7/32 (30,96)	5/16 (7,94)
KNHXHL1409J							
KNHXH1612J	1,437 (36,50)	1,520 (38,61)	1-1/2-12 UNF	1,56 (39,62) 1,38 (42,67)	THXHD1612L	1-11/32 (34,13)	5/16 (7,94)
KNHXHL1612J							
KNHXH1608J	1,437 (36,50)	1,520 (38,61)	1-1/2-12 UNF	1,56 (39,62) 1,38 (42,67)	THXHD1608L	1-11/32 (34,13)	5/16 (7,94)
KNHXHL1608J							