

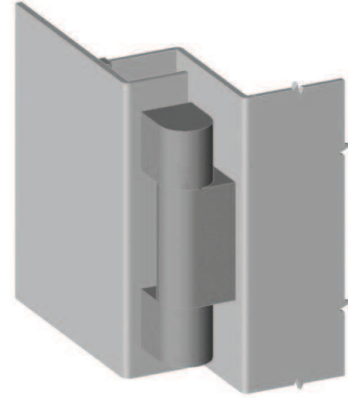
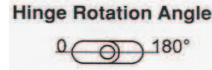
**Particular Features:**

For medium voltage and heavy door panels.

Chrom plated brass

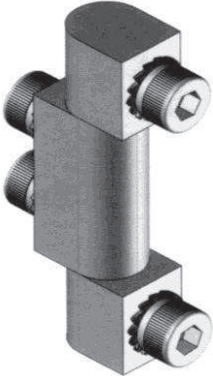
Parts supplied separately

Note: Bolts and washers are given



**Application:**

Electric panels, machinery covers

Version	Materials / Finish	Part-No.
	Brass DIN-17672 CuZn39Pb3 chrome plated (CrVI-free)	HS20MD

**Dimensions and Hole Preparation**

