

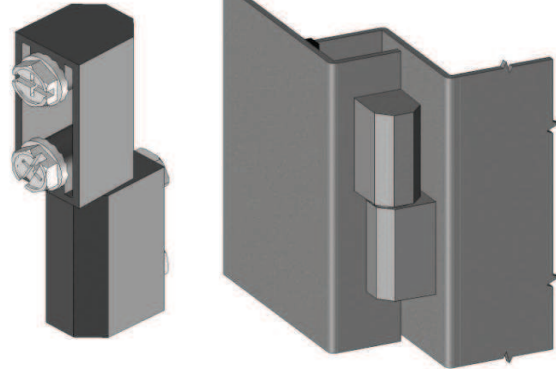
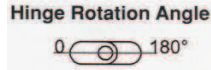
Particular Features:

Lift off hinge

Note: Bolts are given

Application:

Electric panels, machinery covers



Version	Materials / Finish	Part-No.
	Zamak® DIN-EN1774-ZnAl4Cu1 chrome plated (CrVI-free)	HS30ED
	Zamak® DIN-EN1774-ZnAl4Cu1 black coated (CrVI-free)	HS30EH

Dimensions and Hole Preparation

