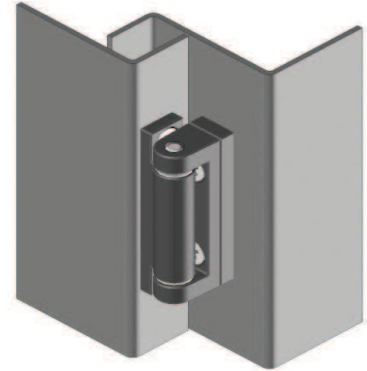
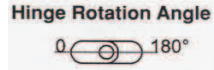


Particular Features:

Spacer available for different dimensions

Stainless steel pin

Note: Bolts are not given

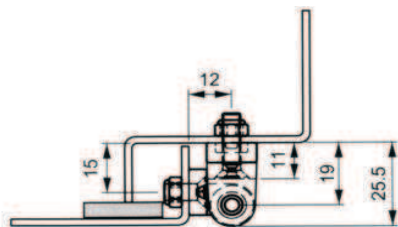
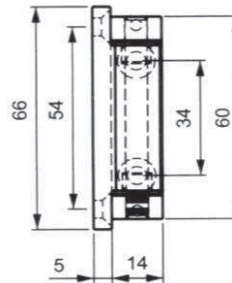
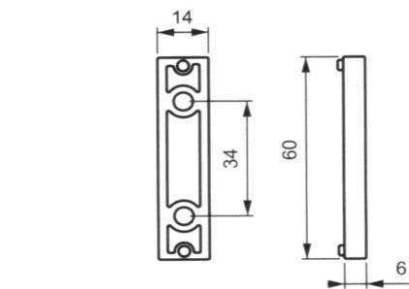


Application:

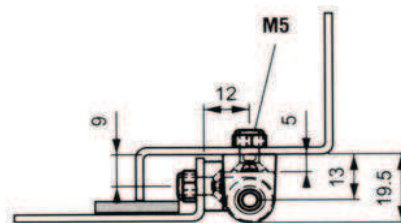
Electric panels, machinery covers

Version	Materials / Finish	Part-No.
	Zamak® / chrome plated height 19,5 mm	HS40ED-19
	Zamak® / chrome plated height 25,5 mm	HS40ED-25
	Zamak® / black height 19,5 mm	HS40EH-19
	Zamak® / black height 25,5 mm	HS40EH-25

Dimensions and Hole Preparation



Height 25,5 mm with spacer



Height 19,5 mm without spacer