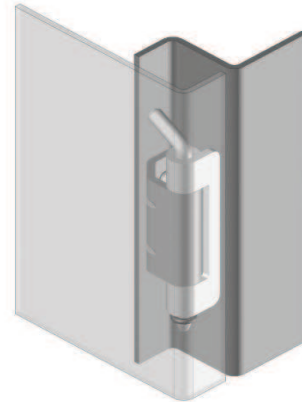


**Particular Features:**


- For doors with a bent of 18 mm
- Frame part screwed on
- Door part screwed or welded-on
- Left hand and right hand application is possible
- Note: Bolts are given

Hinge Rotation Angle

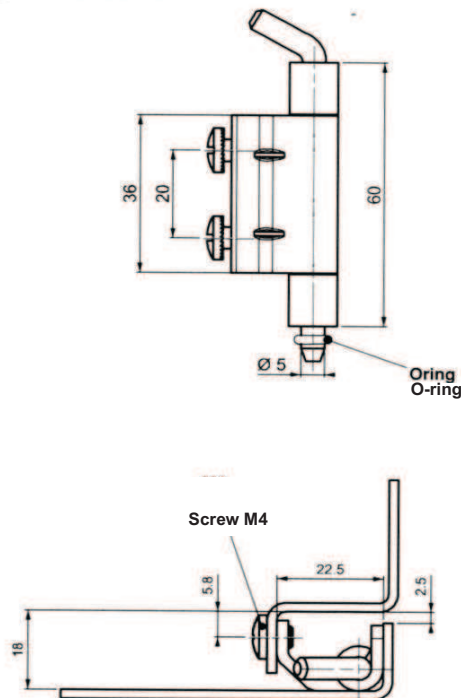


**Application:**

Electric panels, machinery covers

Version	Materials / Finish	Part-No.
	body: steel / zinc plated welding part: copper plated 18 mm bent	HI30AG-T1
	stainless steel 18 mm bent	HI30B-T1

**Dimensions and Hole Preparation**



**Particular Features:**

For doors with a bent of 18,5 mm

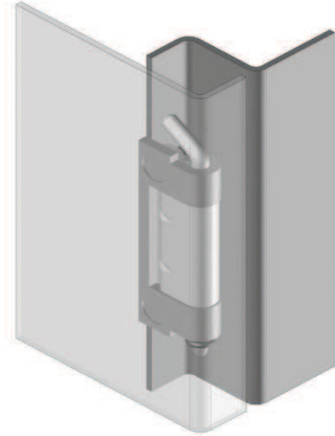
Frame part screwed on

Door part is mounted by nut to welded stud on door

Left hand and right hand application is possible


Note: Bolts are given

Hinge Rotation Angle



**Application:**

Electric panels, machinery covers

Version	Materials / Finish	Part-No.
	steel / zinc plated 18,5 mm bent	HI30AG-T2

**Dimensions and Hole Preparation**

