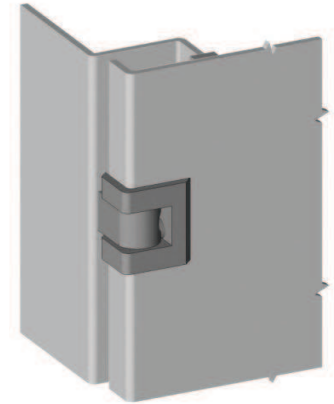
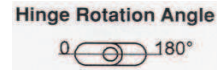


**Particular Features:**

Corner hinge

Suitable for steel panels with a thickness of 1,5 mm

Hinge pin available in three types



**Application:**

Small electric panels

| Version | Materials / Finish                                      | Part-No. |
|---------|---|----------|
|         | body: Polyamide Black<br>DIN-EN ISO 1043-1<br>PA6 GFR30 | HC30K-*  |

add version to article number

| * Version | PIN | Materials / Finish  |
|-----------|-----|---------------------|
| *A        |     | Poliasetal (Delrin) |
| *B        |     | steel / zinc plated |
| *C        |     | steel / zinc plated |

## Dimensions and Hole Preparation

