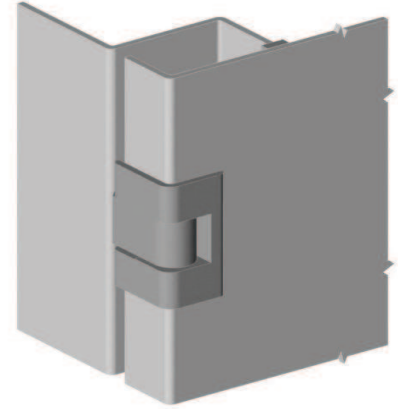
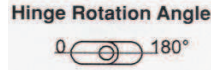


**Particular Features:**

- Corner hinge
- Suitable for steel panels with a thickness of 2 mm
- Steel hinge pin



**Application:**

Big sized electric panels

Version	Materials / Finish	Part-No.
	Zamak® DIN-EN1774-ZnAl4Cu1 chrome plated (CrVI-free)	HC40ED-B
	Zamak® DIN-EN1774-ZnAl4Cu1 black coated (CrVI-free)	HC40EH-B

**Dimensions and Hole Preparation**

