

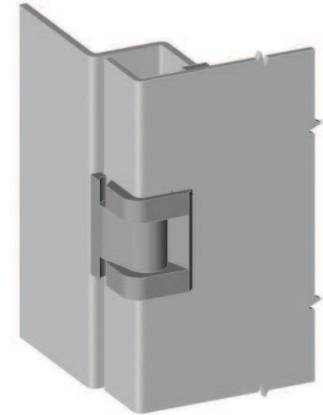
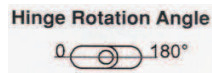
Particular Features:

Corner hinge

Suitable for steel panels with a thickness of 2,0 mm

Steel hinge pin

With M6 threaded studs for internal fastening



Application:

Big sized electric panels

Version	Materials / Finish	Part-No.
	Zamak® DIN-EN1774-ZnAl4Cu1 chrome plated (CrVI-free)	HC50ED-B
	Zamak® DIN-EN1774-ZnAl4Cu1 black coated (CrVI-free)	HC50EH-B

Dimensions and Hole Preparation

