

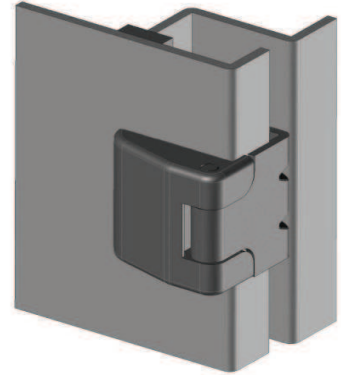
Particular Features:

Corner hinge for 16,5 mm bend

M5 version


Budget priced polyamid version available

Hinge Rotation Angle



Application:

Electric panels, machinery covers

Version	Materials / Finish	Part-No.
	Zamak® DIN-EN1774-ZnAl4Cu1 black coated (CrVI-free)	HC60EH-T18-AA
	Polyamid / black PA6 GFR30	HC60K-T18-AA

Dimensions and Hole Preparation

