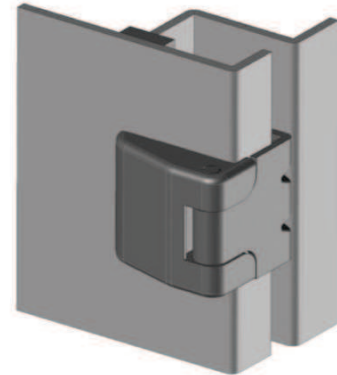
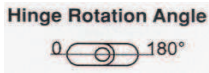




Particular Features:

Corner hinge for 21 mm bend
M6 version

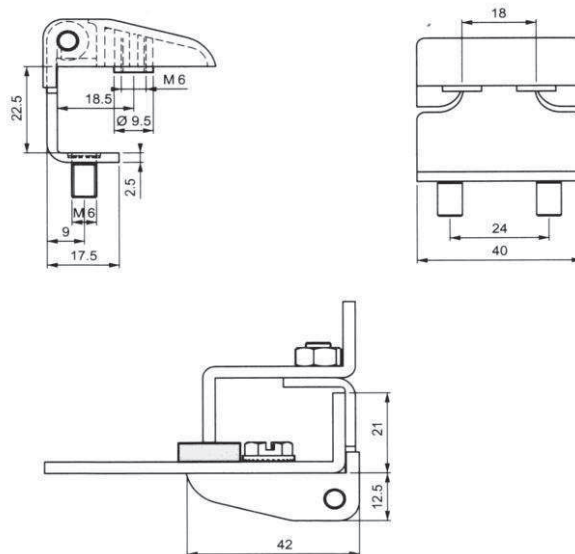
Application:

Electric panels, machinery covers



Version	Materials / Finish	Part-No.
	Zamak® DIN-EN1774-ZnAl4Cu1 black coated (CrVI-free)	HC70EH-T17-AA
	Zamak® DIN-EN1774-ZnAl4Cu1 black coated (CrVI-free)	HC70EH-T17-BB

Dimensions and Hole Preparation



Particular Features:

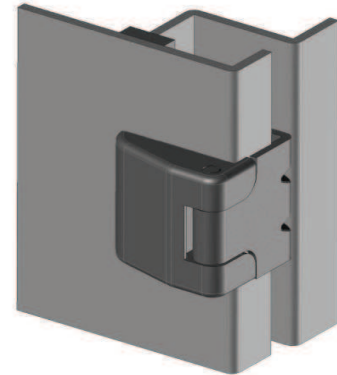
Corner hinge for 17 mm bend


Hinge Rotation Angle



Application:

Electric panels, machinery covers



Version	Materials / Finish	Part-No.
	Zamak® DIN-EN1774-ZnAl4Cu1 black coated (CrVI-free)	HC70EH-T25-AA

Dimensions and Hole Preparation

