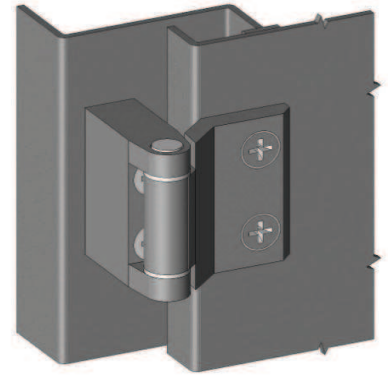
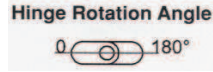


Particular Features:

For plain/flush or side mounted doors

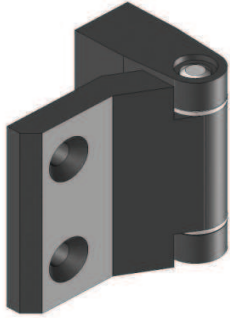
For side mounted doors with a bend of between 2 mm and 30 mm

Hardened steel hinge pin



Application:

Electric panels, machinery covers

Version	Materials / Finish	Part-No.
	Zamak® DIN-EN1774-ZnAl4Cu1 black coated (CrVI-free)	HC80EH-T*

* Version	h	* Version	h	* Version	h
02	2	T10	10	T25	25
03	3	T15	15	T27	27
05	5	T17	17	T30	30
07	7	T20	20		

Dimensions and Hole Preparation

