

## Features

Max. tensile strength 700 N, working load 480 N.

Increased grip range.

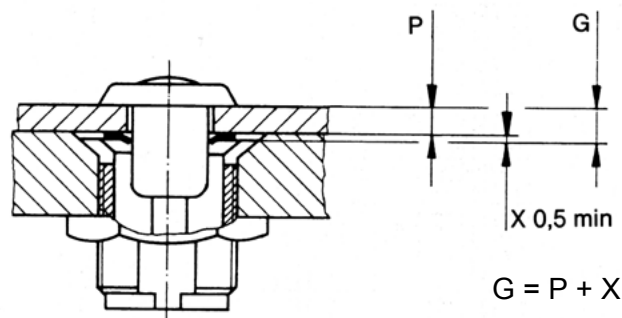
Externally threaded receptacles for use in castings or on panels with a retaining nut (see page C-3).

Encapsulated design, splash-proof.

## Selection Instructions


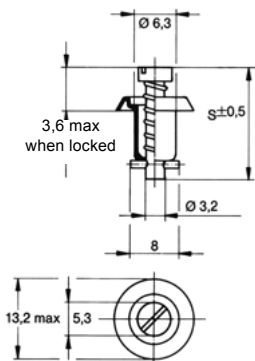
1. Select stud assembly and receptacle, page C-2 and C-3.
2. Select hex nut for receptacle, if necessary, page C-3.
3. Select stud retaining washer, page C-2.
4. Select stud length number from total thickness G using the formula and table below (e.g. 99S10-01AG).

### Determining the stud length number:



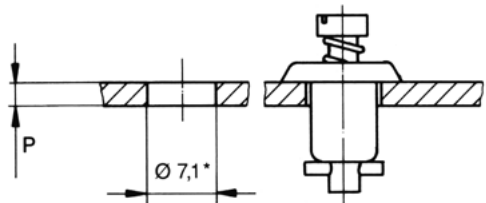
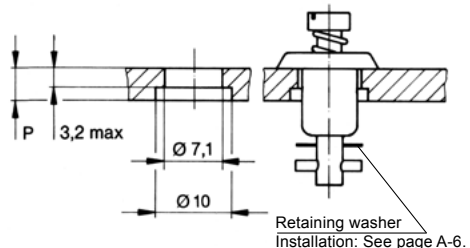
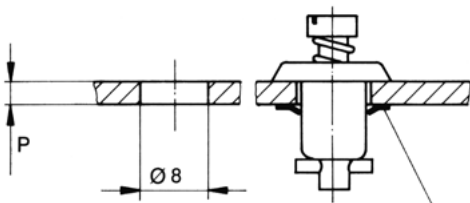
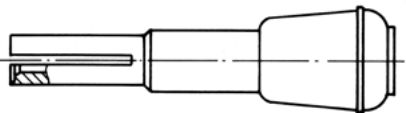
Total Thickness G	Stud Length No.
0,5 - 1,5	01
1,5 - 3,0	03
3,0 - 4,5	05
4,5 - 6,0	07
6,0 - 7,5	09
7,5 - 9,0	11
9,0 - 10,5	13
10,5 - 12,0	15
12,0 - 13,5	17
13,5 - 15,0	19


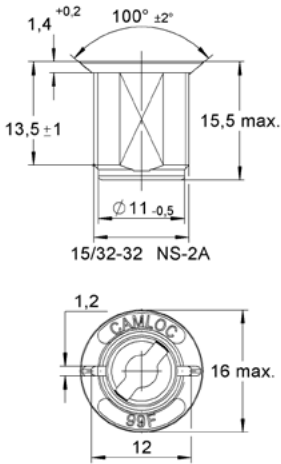

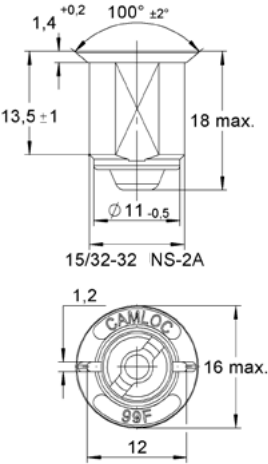
Other lengths on request.

Style	Dimensions	Materials / Finish	°C	Part No.
<p><b>Slotted Recess Head</b></p> 	 <p><math>S = 15,5 + (0,76 \times \text{length no.})</math></p>	Steel / zinc-plated, CrVI-free, clear passivation	100	<b>V99S10-*AG</b>

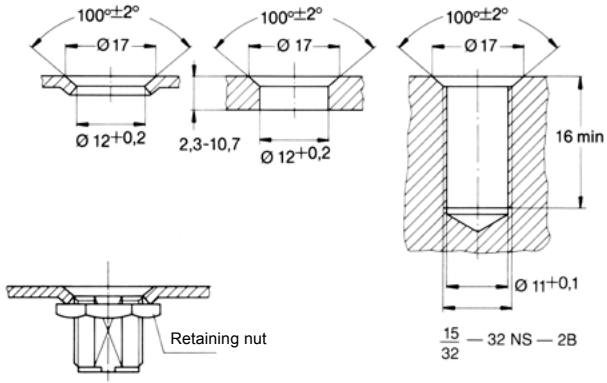
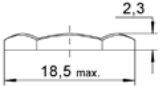
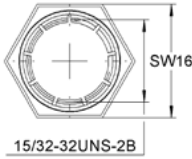
\* Length no. from Table, see page C-1.

### Stud Installation Instructions

Installation Dimensions	Accessories	Materials / Finish	Part No.
<p><b>Panel Thickness P 0,5 - 3,2</b></p>  <p>* For P up to 1,65 m Ø 6,5 for installation without retaining washer</p>	Retaining washer	Stainless steel	<b>2600-SW</b>
<p><b>Panel Thickness P over 3,2</b></p>  <p>Retaining washer Installation: See page A-6.</p>			
<p><b>Panel Thickness P 0,50 - 4,75</b></p>  <p>Retaining washer Installation: See page A-6.</p>	Retaining washer	Steel / zinc-plated, CrVI-free, transparent passivated  Stainless steel	<b>99W10-01A1</b>  <b>V2600-LW-7</b>
	<b>Mounting tool</b> for retaining washer V2600-LW-7 and 99W10-01A1		<b>T98-1</b>

Style	Dimensions	Materials / Finish	°C	Part No.
<p><b>Open</b></p> 		Zinc die casting / zinc-plated, CrVI-free, clear passivation	100	<b>99R10-01A1</b>
<p><b>Encapsulated</b></p> 		Zinc die casting / zinc-plated, CrVI-free, clear passivation  Capsule: Stainless steel	100	<b>99E10-01</b>

## Receptacle Installation Instructions

Installation Dimensions	Accessories	Materials / Finish	Part No.
 <p>Installation torque 3 Nm</p>	<p>Retaining nut</p>  <p>Tap</p> 	Steel / zinc-plated, CrVI-free, clear passivation	<b>99N10-01A1</b>
			<b>15/32-32 NS-2B</b>