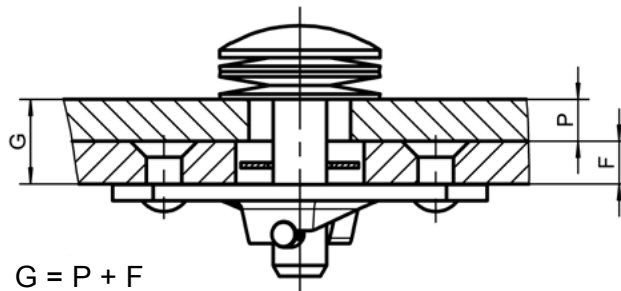


## Features

Max. tensile strength 3.700 N, working load 2.600 N.  
Small fastener giving high tensile load.  
Flat receptacle.  
High preload.

## Selection Instructions


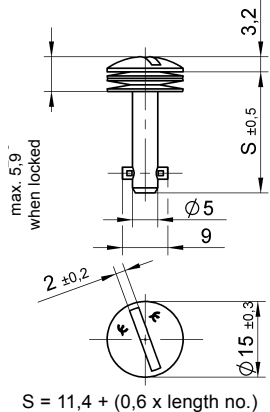

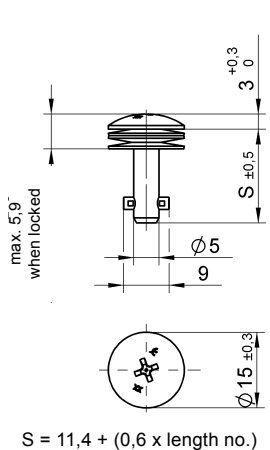

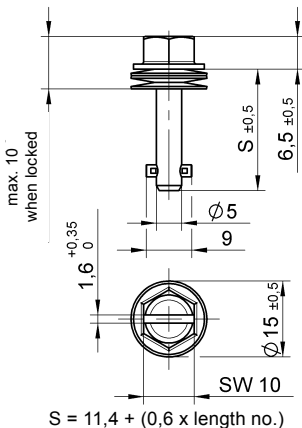
1. Select stud assembly and receptacle, page E-2 to E-4 and E-6.
2. Select retaining washer, page E-5.
3. Select stud length number from total thickness G using the formula and table below (e.g. 50E8-\*AGV).



## Stud Length Table


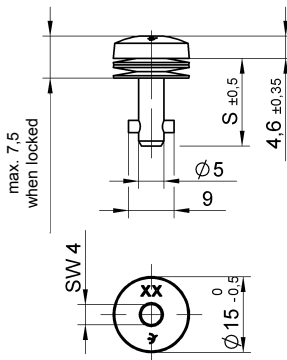

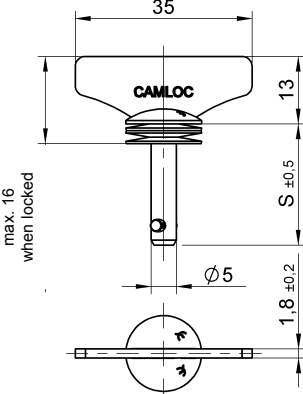

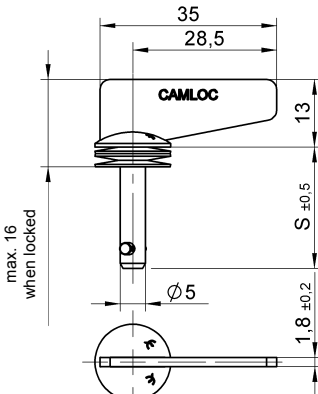
| Total Thickness G | Stud Length No. | Total Thickness G | Stud Length No. |
|-------------------|-----------------|-------------------|-----------------|
| 0,50 - 1,10       | 2               | 10,70 - 11,30     | 19              |
| 1,10 - 1,70       | 3               | 11,30 - 11,90     | 20              |
| 1,70 - 2,30       | 4               | 11,90 - 12,50     | 21              |
| 2,30 - 2,90       | 5               | 12,50 - 13,10     | 22              |
| 2,90 - 3,50       | 6               | 13,10 - 13,70     | 23              |
| 3,50 - 4,10       | 7               | 13,70 - 14,30     | 24              |
| 4,10 - 4,70       | 8               | 14,30 - 14,90     | 25              |
| 4,70 - 5,30       | 9               | 14,90 - 15,50     | 26              |
| 5,30 - 5,90       | 10              | 15,50 - 16,10     | 27              |
| 5,90 - 6,50       | 11              | 16,10 - 16,70     | 28              |
| 6,50 - 7,10       | 12              | 16,70 - 17,30     | 29              |
| 7,10 - 7,70       | 13              | 17,30 - 17,90     | 30              |
| 7,70 - 8,30       | 14              | 17,90 - 18,50     | 31              |
| 8,30 - 8,90       | 15              | 18,50 - 19,10     | 32              |
| 8,90 - 9,50       | 16              | 19,10 - 19,70     | 33              |
| 9,50 - 10,10      | 17              | 19,70 - 20,30     | 34              |
| 10,10 - 10,70     | 18              | 20,30 - 20,90     | 35              |

Other lengths on request.

| Style                                                                                                                     | Dimensions                                                                                                                                        | Materials / Finish                                                                                    | °C                    | Part No.                                      |
|---------------------------------------------------------------------------------------------------------------------------|---------------------------------------------------------------------------------------------------------------------------------------------------|-------------------------------------------------------------------------------------------------------|-----------------------|-----------------------------------------------|
| <p><b>Slotted Recess Head</b></p>        |  <p><math>S = 11,4 + (0,6 \times \text{length no.})</math></p>   | <p>Steel / zinc-plated,<br/>CrVI-free,<br/>clear passivation</p> <p>Stainless steel <sup>1)</sup></p> | <p>120</p> <p>200</p> | <p><b>50E8-*AGV</b></p> <p><b>50E8-*S</b></p> |
| <p><b>Cross Recess Head</b></p>         |  <p><math>S = 11,4 + (0,6 \times \text{length no.})</math></p>  | <p>Steel / zinc-plated,<br/>CrVI-free,<br/>clear passivation</p>                                      | <p>120</p>            | <p><b>50E71-*AGV</b></p>                      |
| <p><b>Hex Head Slotted Recess</b></p>  |  <p><math>S = 11,4 + (0,6 \times \text{length no.})</math></p> | <p>Steel / zinc-plated,<br/>CrVI-free,<br/>clear passivation</p>                                      | <p>120</p>            | <p><b>50E91-*AGV</b></p>                      |


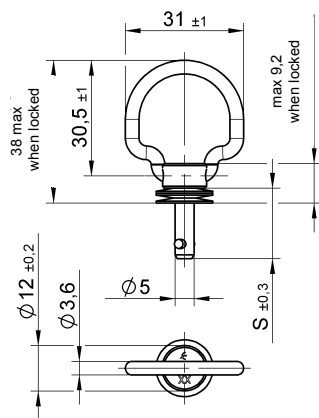

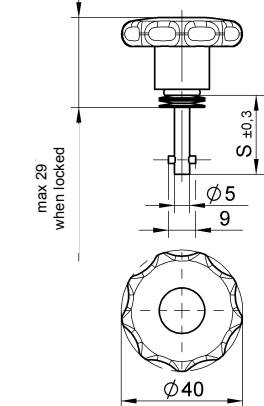

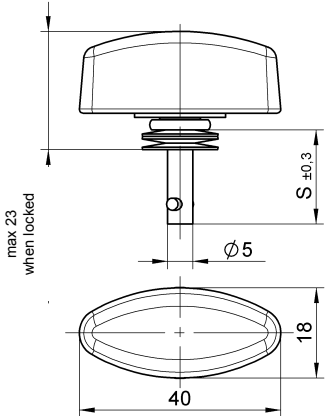

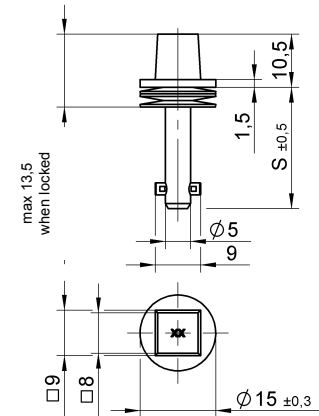
\* Length no. from Table, page E-1.

<sup>1)</sup>Max. tensile strength 2.600 N, working load 1.700 N.

| Style                                                                                                                      | Dimensions                                                                                                                                        | Materials / Finish                                                                           | °C             | Part No.                                 |
|----------------------------------------------------------------------------------------------------------------------------|---------------------------------------------------------------------------------------------------------------------------------------------------|----------------------------------------------------------------------------------------------|----------------|------------------------------------------|
| <p><b>Hex Recess Head</b></p>             |  <p><math>S = 11,4 + (0,6 \times \text{length no.})</math></p>   | Steel / zinc-plated,<br>CrVI-free,<br>clear passivation                                      | 120            | <b>50E61-*AGV</b>                        |
| <p><b>Fixed Wing Handle</b></p>          |  <p><math>S = 11,4 + (0,6 \times \text{length no.})</math></p>  | Steel / zinc-plated,<br>CrVI-free,<br>clear passivation<br><br>Stainless steel <sup>1)</sup> | 120<br><br>200 | <b>50E8-*WAGV</b><br><br><b>50E8-*WS</b> |
| <p><b>Offset Fixed Wing Handle</b></p>  |  <p><math>S = 11,4 + (0,6 \times \text{length no.})</math></p> | Steel / zinc-plated,<br>CrVI-free,<br>clear passivation                                      | 120            | <b>50E8-*W0AGV</b>                       |

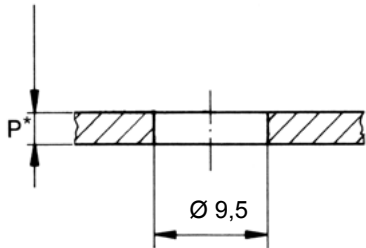
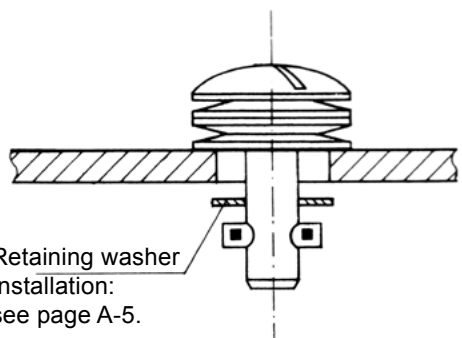
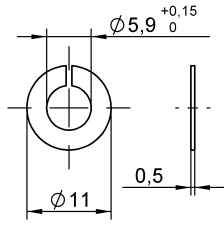
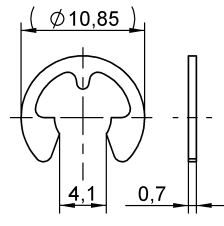
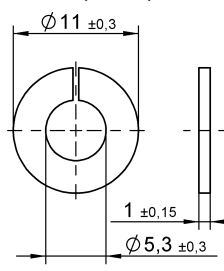
\* Length no. from Table, page E-1.

<sup>1)</sup> Max. tensile strength 2.600 N, working load 1.700 N.


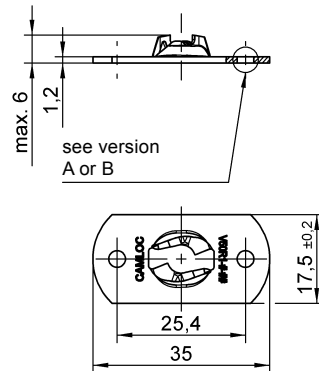
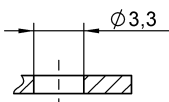
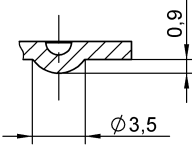
| Style                                                                                                                       | Dimensions                                                                          | Materials / Finish                                                                                                                            | °C                                                 | Part No.                                  |
|-----------------------------------------------------------------------------------------------------------------------------|-------------------------------------------------------------------------------------|-----------------------------------------------------------------------------------------------------------------------------------------------|----------------------------------------------------|-------------------------------------------|
| <b>Folding Bail Handle<br/>180°</b><br>    |    | Steel / zinc-plated,<br>CrVI-free,<br>clear passivation                                                                                       | 120                                                | <b>50E19-*AGV</b>                         |
| <b>Star Form Handle<br/>Plastic</b><br>   |   | Steel / zinc-plated,<br>CrVI-free,<br>clear passivation<br>with plastic knob (PA 6)<br><br>Stainless steel <sup>1)</sup><br>with plastic knob | -40<br>up to<br>+60<br><br><br>-40<br>up to<br>+60 | <b>50E81-*AGV</b><br><br><b>50E81-*CP</b> |
| <b>Fixed Wing Handle<br/>Plastic</b><br> |  | Steel / zinc-plated,<br>CrVI-free,<br>clear passivation<br>with plastic knob (PA 6)<br><br>Stainless steel <sup>1)</sup><br>with plastic knob | -40<br>up to<br>+60<br><br>-40<br>up to<br>+60     | <b>50E83-*AGV</b><br><br><b>50E83-*CP</b> |
| <b>Square Head</b><br>                   |  | Steel / zinc-plated,<br>CrVI-free,<br>clear passivation                                                                                       | 120                                                | <b>50E7-*AGV</b>                          |

\* Length no. from Table, page E-1.

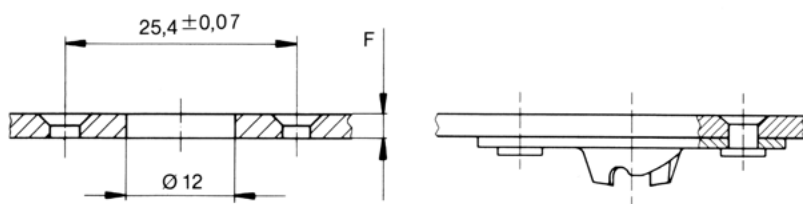
<sup>1)</sup> Max. tensile strength 2.600 N, working load 1.700 N.

| Installation Dimensions                                                                                                                                                 | Accessories                                                                                                          | Material / Finish                                                                                                                                                  | Part No.          |
|-------------------------------------------------------------------------------------------------------------------------------------------------------------------------|----------------------------------------------------------------------------------------------------------------------|--------------------------------------------------------------------------------------------------------------------------------------------------------------------|-------------------|
| <br> | <p>Retaining washer (loose)</p>    | Stainless steel                                                                                                                                                    | <b>4002-SW-SS</b> |
|                                                                                                                                                                         | <p>Retaining washer (fixed)</p>   | Stainless steel                                                                                                                                                    | <b>50E2-3BP</b>   |
|                                                                                                                                                                         | <p>Retaining washer (loose)</p>  | <p>Plastic (PA6) / natural colour</p> <p>Working temperature: -40°C + 120°C</p> <p><b>ADVANTAGE:</b> Plastic retaining washer to be assembled without tooling.</p> | <b>50W204-01K</b> |

\*For P up to 2 mm Ø 8<sup>+0,2</sup> for installation without retaining washer

| Style                                                                                                                           | Dimensions                                                                                                                                                                    | Materials / Finish                                                                     | °C  | Part No.            |
|---------------------------------------------------------------------------------------------------------------------------------|-------------------------------------------------------------------------------------------------------------------------------------------------------------------------------|----------------------------------------------------------------------------------------|-----|---------------------|
| <b>Rivet- / Screw or Weld Mounting</b><br><br> |  <p>max. 6<br/>1,2<br/>see version A or B</p> <p>25,4<br/>35<br/>17,5 ±0,2</p> <p>CAMLOC</p> | <b>Rivet / Screw Mounting</b><br><br>Steel / zinc-plated, CrVI-free, clear passivation | 120 | <b>V50R1-1-1AGV</b> |
|                                                                                                                                 |                                                                                                                                                                               | Stainless steel                                                                        | 200 | <b>V50R1-1-1BP</b>  |
|                                                                                                                                 |                                                                                                                                                                               | <b>Welding</b><br><br>Steel / zinc-plated                                              | -   | <b>V50R1-1-2AZ</b>  |
|                                                                                                                                 |                                                                                                                                                                               | Steel / oil coated                                                                     | -   | <b>V50R1-1-2AR</b>  |
|                                                                                                                                 | Version A<br>Rivet/Screw Mounting<br><br> <p>Ø 3,3</p>                                      |                                                                                        |     |                     |
|                                                                                                                                 | Version B<br>Welding<br><br> <p>Ø 3,5<br/>0,9</p>                                          |                                                                                        |     |                     |

## Receptacle Installation Instructions

| Installation Dimensions                                                                                                                                                            |
|------------------------------------------------------------------------------------------------------------------------------------------------------------------------------------|
| <p align="center"><b>Rivet- / Screw or Weld Mounting</b></p>  <p>25,4 ±0,07<br/>Ø 12<br/>F</p> |